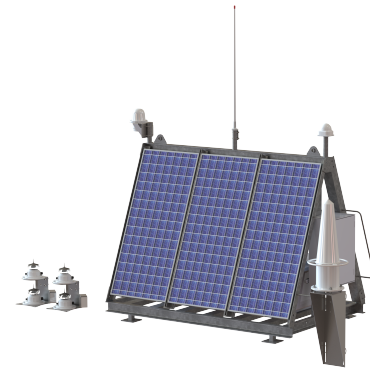


Decom Lite Unitised Skid

Decom lite Modular Decommissioning Solution

The Decom Lite Modular Decommissioning Solution has been designed using Orga and Tideland's latest LED Lantern technology to offer a standardised, cost effective and easy to install solution for Temporary Uncertified Applications and Decommissioning applications including long term Lighthouse Operation.



KEY FEATURES

- Standardised modular and configurable low weight skid system with minimised footprint
- Control panel is field configurable by physical switches to suit each application
- No additional maintenance requirements; suitable for locations with limited access
- Reliable low intensity LED Aids to Navigation or Aeronautical Obstruction Light
- Low cost of ownership
- Self-contained solar power supply
- Smart PWM battery charging via solar regulator

ELECTRICAL CHARACTERISTICS

- Nominal system voltage: 24 Vdc
- 3 solar panels in array; 190W in parallel
- Battery Autonomy designed and proven for Latitudes up to 61 degrees North
- VRLA Gel batteries, best suited for long discharge applications

STANDARDS/GUIDELINES

- In accordance with GLA – Navigation Marking Guidance

PERFORMANCE CHARACTERISTICS

- Configurable system which can consist of:
 - 10Nm white Aids to Navigation Marine Light; Morse code U
 - Low intensity 200Cd Aeronautical Obstruction Light; steady burning Red
 - Racon; configurable Morse code
 - AIS Type 3; RATDMA
 - Remote satellite monitoring
 - Optional Foghorn signal depending on requirements
 - Optional single lift configuration available

PHYSICAL CHARACTERISTICS

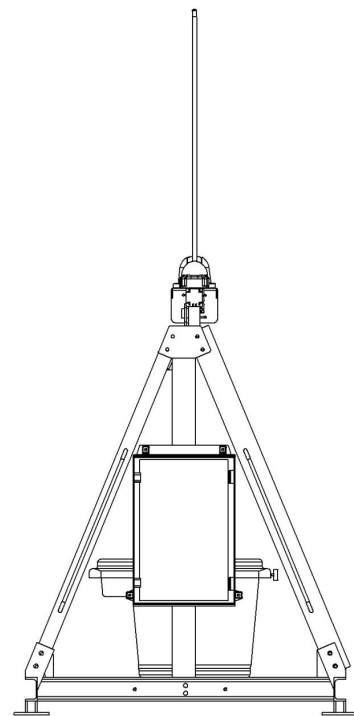
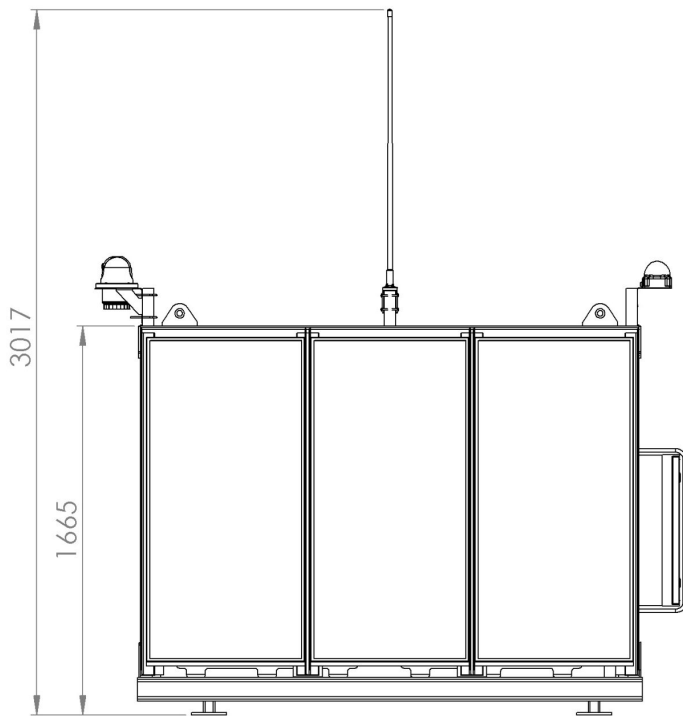
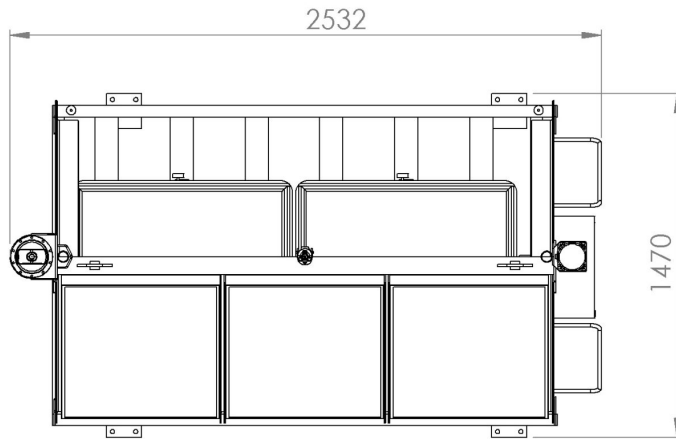
- Operating temperature range: -20°C to +60°C
- Dimensions (l x w x h): 2350 x 1470 x 1665mm Excludes Antenna Mounting Tubes and control panel
- Weight approx. <900 kg

SYSTEM DESIGN, CONTROL AND MONITORING

- DC powered self-contained stand-alone system. No external power supply needed.
- Robust single lift hot dip galvanised steel skid, including lifting eyes.
- All components are installed and interconnected with prewired with marine grade unarmoured cabling.

Decom Lite Unitised Skid

Decom lite Modular Decommissioning Solution



Weight: Approx. 900 kg

