

# L550-XXX-SE-G

## Medium intensity obstruction light

Obstacle light for day and night time marking of structures that present a hazard to aviation. Optimized for use in Offshore environments. White flashing in day and White flashing and/or Red/Infrared flashing/steady in night mode. Incorporates the benefits of advanced LED, optical and system control technologies to meet the most demanding applications.



### KEY FEATURES

- Designed for optimal corrosion resistance in offshore environments due to usage of best-in-class aluminium with "Excellent Resistance to Corrosion" classification and offshore proven coating system
- Optimised housing design minimizing the risk of coating damage during handling and installation
- Stainless steel mounting feet eliminating galvanic corrosion between feet and structure
- No maintenance required over service life.
- Orga optical design produces highly accurate and uniform narrow light beam
- Integrated design with build-in photocell and monitoring – no additional power supply enclosure needed.
- Integrated GPS based flash synchronization between lights, UTC 0.0.0.
- Low power consumption
- 15 year field proven power supply technology
- Made in the Netherlands

### ELECTRICAL CHARACTERISTICS

- Available Operating voltages: 120-240Vac nominal 50-60Hz or 40-64 Vdc, see table
- Power consumption: See table, IR  $\pm$ 1W
- Overvoltage protection: Class III according to IEC61643-1

### STANDARDS/ CERTIFICATION

- In compliance with CE
- Certified to ICAO Annex 14 Volume 1, Ninth Edition, July 2022, Chapter 6, Medium Intensity Type A/ B / C obstacle light
- Certified to French "Arrêté du 23 avril 2018 relatif à la réalisation du balisage des obstacles à la navigation aérienne"
- Certified to United States Federal Aviation Administration AC150/5345-43J, March 2019 including Engineering brief 67D
- Certified to specific requirements for obstruction lights described in UK CAA CAP 393 article 220 (10 January 2015) and Policy Statement of November 2012 concerning lighting and marking of windturbines in UK territorial waters
- Complies with UK MOD Requirements for Infrared light for windturbines
- Various national approvals available upon request

### PERFORMANCE CHARACTERISTICS

- Horizontal beam pattern: 360°
- Vertical beam pattern: 3° minimum
- Intensity White light: See table
- Intensity Red light: See table
- Infra-Red wavelength ~850nm
- Infra-Red beam follows visible light, or beam is according to local standards

### PHYSICAL CHARACTERISTICS

- Dimensions: L x W x H: See drawing
- Weight: 16kg
- Design degree of protection: IP65
- Operating temperature range: -40 °C/+55 °C
- Shipping information: 550 x 550 x 400 mm; approx. 20 kg
- Supplied with pre-mounted Orga cable for easy installation and high reliability ready for use
- Cable bending radius static: 10x cable diameter
- Outer cable diameter:  $\varnothing$ 12.5 +/- 0.5 mm
- Cable weight: 260 g/m
- Level indicators for correct mounting

### SYSTEM DESIGN, CONTROL AND MONITORING

- Use as a stand-alone light, or in a multiple light system with an Orga CIP controller
- Optional Orga CIP controller facilities provides control interfaces for:
  - "smart switch" aircraft detection input
  - Visibility condition variable intensity input
  - Visibility condition variable intensity input; intensity steps 30% and 10%
  - Remote photocell control input/override



# L550-XXX-SE-G

## Medium intensity obstruction light

Product	Subtype	Light Performance			Operating voltage	Additional Information			Standard
		Day	Twilight	Night		Power consumption (W) @ 20°C			
					Day	Twilight	Night		
L550	-864-30-IR-D4-SE-G	-	2.000 cd 30 FPM Red+IR	2.000 cd 30 FPM Red+IR	40-64Vdc	2	15	15	FAA
L550	-63B-IR-D4-SE-G	-	-	2.000 cd 20 FPM Red+IR	40-64Vdc	2	2	14	ICAO
L550	-63C-IR-D4-SE	-	-	2.000 cd Steady Red+IR	40-64Vdc	2	2	25	ICAO
L550	-FR2-30-D4-SE-G	-	-	200 cd 30 FPM Red	40-64Vdc	2	2	5.2	STAC
L550	-3E5-W-IRMS-D4-SE-G	-	-	2.000 cd Code W Red+IR	40-64Vdc	2	2	26	CAA +MOD
L550	-63B-D4-SE-G	-	-	2.000 cd 20 FPM Red	40-64Vdc	13	13	13	ICAO
L550	-63Ba-D4-SE-G	2.000 cd 20 FPM Red	2.000 cd 20 FPM Red	2.000 cd 20 FPM Red	40-64Vdc	13	13	13	ICAO
L550	-63C-D4-SE	-	-	2.000 cd Steady Red	40-64Vdc	2	2	25	ICAO
L550	-63Ca-IRa-D4-SE	2.000 cd Steady Red+IR	2.000 cd Steady Red+IR	2.000 cd Steady Red+IR	40-64Vdc	25	25	25	ICAO
L550	-63Ba-IRa-D4-SE-G	2.000 cd 20 FPM Red+IR	2.000 cd 20 FPM Red+IR	2.000 cd 20 FPM Red+IR	40-64Vdc	14	14	14	ICAO
L550	-63Ba-ISF-D4-SE-G	2.000 cd 20 FPM Red	2.000 cd 20 FPM Red	2.000 cd 20 FPM Red	40-64Vdc	2	2	17	Japan
L550	-63A/63B-IR-D4-SE-G	20.000 cd 20 FPM White	20.000 cd 20 FPM White	2.000 cd 20 FPM Red+IR	40-64Vdc	23	23	17	ICAO
L550	-63A/63C-IR-D4-SE-G	20.000 cd 20 FPM White	20.000 cd 20 FPM White	2.000 cd Steady Red+IR	40-64Vdc	23	23	27	ICAO
L550	-63A-D4-SE-G	20.000 cd 20 FPM White	20.000 cd 20 FPM White	2.000 cd 20 FPM White	40-64Vdc	23	23	13	ICAO
L550	-63A/FR1-30/30-D4-SE-G	20.000 cd 30 FPM White	20.000 cd 30 FPM White	2.000 cd 30 FPM Red	40-64Vdc	32	32	14	STAC
L550	-63A/FR2-30/30-D4-SE-G	20.000 cd 30 FPM White	20.000 cd 30 FPM White	200 cd 30 FPM Red	40-64Vdc	32	32	5.2	STAC
L550	-63A/63C-30/S-D4-SE-G	20.000 cd 30 FPM White	20.000 cd 30 FPM White	2.000 cd Steady Red	40-64Vdc	32	32	25	ICAO
L550	-63A/63C-40/S-D4-SE-G	20.000 cd 40 FPM White	20.000 cd 40 FPM White	2.000 cd Steady Red	40-64Vdc	40	40	26	ICAO
L550	-63A/63B-40/40-D4-SE-G	20.000 cd 40 FPM White	20.000 cd 40 FPM White	2.000 cd 40 FPM Red	40-64Vdc	40	40	26	ICAO



# L550-XXX-SE-G

## Medium intensity obstruction light

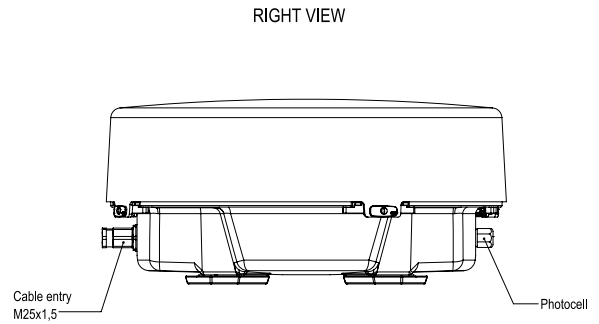
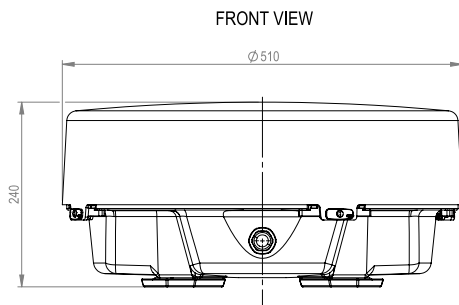
Product	Subtype	Light Performance			Operating voltage	Additional Information			Standard
		Day	Twilight	Night		Power consumption (W) @ 20°C			
					Day	Twilight	Night		
L550	-63C-SE	-	-	2.000 cd Steady Red	120-240Vac	5	5	27	ICAO
L550	-FR2-30-SE-G	-	-	200 cd 30 FPM Red	120-240Vac	5	5	6	STAC
L550	-3E5-SE	-	-	2.000 cd Steady Red	120-240Vac	6	6	22	CAA
L550	-FR1-4E-30-SE-G	-	-	2.000 cd 30 FPM Red	120-240Vac	6	6	22	STAC
L550	-63B-SE-G	-	-	2.000 cd 20 FPM Red	120-240Vac	5	5	18	ICAO
L550	-63B-IR-SE-G	-	-	2.000 cd 20 FPM Red+IR	120-240Vac	5	5	19	ICAO
L550	-864-30-IR-SE-G	-	2.000 cd 30 FPM Red+IR	2.000 cd 30 FPM Red+IR	120-240Vac	5	18	18	FAA
L550	-3E5-W-IRM-SE-G	-	-	2.000 cd Code W Red+IR	120-240Vac	6	6	28	CAA +MOD
L550	-63C-IR-SE	-	-	2.000 cd Steady Red+IR	120-240Vac	5	5	27	ICAO
L550	-63Ba-IRa-SE-G	2.000 cd 20 FPM Red+IR	2.000 cd 20 FPM Red+IR	2.000 cd 20 FPM Red+IR	120-240Vac	19	19	19	ICAO
L550	-63A-SE-G	20.000 cd 20 FPM White	20.000 cd 20 FPM White	2.000 cd 20 FPM White	120-240Vac	25	25	13	ICAO
L550	-63Adt-30-SE	20.000 cd 30 FPM White	20.000 cd 30 FPM White	-	120-240Vac	34	34	7	ICAO
L550	-63A/63B-SE-G	20.000 cd 20 FPM White	20.000 cd 20 FPM White	2.000 cd 20 FPM Red	120-240Vac	25	25	13	ICAO
L550	-63A/63C-SE-G	20.000 cd 20 FPM White	20.000 cd 20 FPM White	2.000 cd Steady Red	120-240Vac	25	25	29	ICAO
L550	-63A/63C-30/S-SE-G	20.000 cd 30 FPM White	20.000 cd 30 FPM White	2.000 cd Steady Red	120-240Vac	34	34	29	ICAO
L550	-63A/63C-40/S-SE-G	20.000 cd 40 FPM White	20.000 cd 40 FPM White	2.000 cd Steady Red	120-240Vac	41	41	29	ICAO



# L550-XXX-SE-G

Medium intensity obstruction light

Product	Subtype	Light Performance			Operating voltage	Additional Information			
		Day	Twilight	Night		Power consumption (W) @ 20°C			Standard
					Day	Twilight	Night		
L550	-63A/FR1-30/30-SE-G	20.000 cd 30 FPM White	20.000 cd 30 FPM White	2.000 cd 30 FPM Red	120-240Vac	34	34	17	STAC
L550	-63A/FR2-30/30-SE-G	20.000 cd 30 FPM White	20.000 cd 30 FPM White	200 cd 30 FPM Red	120-240Vac	34	34	7,1	STAC
L550	-63A/63B-40/40-SE-G	20.000 cd 40 FPM White	20.000 cd 40 FPM White	2.000 cd 40 FPM Red	120-240Vac	41	41	20	ICAO
L550	-63A/63B-IR-SE-G	20.000 cd 20 FPM White	20.000 cd 20 FPM White	2.000 cd 20 FPM Red+IR	120-240Vac	24	24	19	ICAO



# L550-XXX-SE-G

Medium intensity obstruction light

