

L240-XX-IRG-G

German 'Feuer W, (Rot)' LED obstacle light

The L240 'Feuer W, (Rot)' is a nacelle light for the German wind market. This red flashing obstacle light for night time marking fully complies with the German Hindernisfeuer AVV (ES). The light incorporates the benefits of advanced LED, optical and system control technologies visible for flying under Night Vision Goggles (NVG).



KEY FEATURES

- Five year warranty
- Housing based on 30 years of offshore product design experience
- Lightweight and easy to install
- Extremely low wind factor
- Integrated design with built-in photocell and monitoring –
- no additional power supply enclosures required
- Integrated GPS based flash synchronisation between lights. UTC 0.0.0
- No maintenance required over service life
- Orga optical design produces highly accurate and uniform narrow light beam
- Extremely low power consumption
- Long life power supply to match LED life, does not use electrolytic capacitors
- flashing visible red light output and or only additional IR flashing light output
- Made in The Netherlands

STANDARDS/CERTIFICATION

- In compliance with AVV (2020) (German “General Administrative Regulation for the marking and lighting of obstacles to air navigation”) “Feuer W, Rot (ES)”

PERFORMANCE CHARACTERISTICS

- Horizontal beam pattern: 360°
- Intensity Red light: See table
- Intensity IR light: See table
- Infra-Red wavelength ~850nm
- Infra-Red beam is according to AVV standards

ELECTRICAL CHARACTERISTICS

- Operating voltage: 120-240Vac nominal 50-60Hz
- Power consumption: See table
- Overvoltage protection: Class III according to IEC61643-1

PHYSICAL CHARACTERISTICS

- Dimensions: (L x W x H): See drawing
- Weight: <3kg
- Design degree of protection: IP66
- Operating temperature range: -40°C/+55 °C
- Supplied with pre-mounted Orga cable for easy installation and high reliability
- Cable bending radius: static 7x cable diameter
- Outer cable diameter Ø12.5 +/- 0.5 mm
- Cable weight: 261 g/m

SYSTEM DESIGN, CONTROL AND MONITORING

- Use as a stand-alone light, or in a multiple light system with an Orga CIP controller
- Optional Orga CIP controller facilities provides control interfaces for:
 - “smart switch” aircraft detection input
 - Visibility condition variable intensity input; intensity steps 30% and 10%
 - Remote photocell control input/override



L240-XX-IRG-G

German 'Feuer W, (Rot)' LED obstacle light

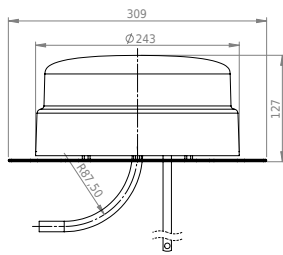
Product	Additional information							
Type	Light performance			Power consumption (W) @ 20 °C			Standard	Mounting Bracket
	Day	Twilight	Night	Day	Twilight	Night		(240x240mm)
L240-GFW-IRG-G	-	-	„Feuer W“ + IR 60 fpm	1 W	1 W	9 W	AVV	- BR
L240-GFW-ES-IRG-G	-	-	Feuer W ES“ + IR 60 fpm	1 W	1 W	5 W	AVV	- BR
L240-IRG-G	-	-	IR flashing 60 fpm	1 W	1 W	2 W	AVV	- BR



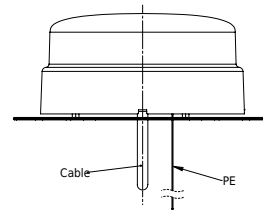
L240-XX-IRG-G

German 'Feuer W, (Rot)' LED obstacle light

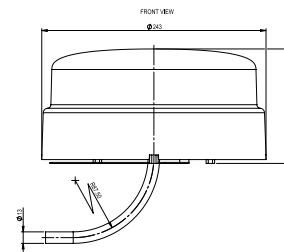
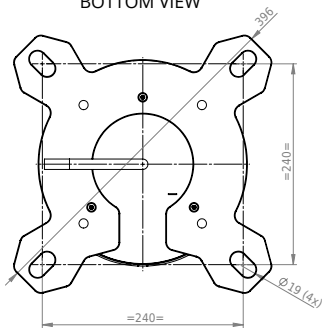
FRONT VIEW



RIGHT VIEW



BOTTOM VIEW



L240-XX-IRG-G

German 'Feuer W, (Rot)' LED obstacle light

