

L240-XXX

Low intensity red obstruction light

Red obstruction light for night time marking of structures that present a hazard to aviation. Red steady/ infra-Red burning in night mode. Incorporates the benefits of advanced LED, optical and system control technologies to meet the most demanding applications.



KEY FEATURES

- Five year warranty
- Housing based on 30 years of offshore product design experience
- Lightweight and easy to install
- Extremely low wind factor
- Integrated design with built-in photocell and monitoring – no additional power supply enclosures required
- Optional heater function for de-icing
- No maintenance required over service life
- Orga optical design produces highly accurate and uniform narrow light beam
- Extremely low power consumption
- Long life power supply to match LED life, does not use electrolytic capacitors
- Steady burning visible red light output with optional additional IR light output
- Made in The Netherlands

STANDARDS/CERTIFICATION

- Complies with ICAO Annex 14 Volume 1, Ninth Edition, July 2022, Chapter 6, Low Intensity

PERFORMANCE CHARACTERISTICS

- Horizontal beam pattern: 360°
- Intensity Red light: See table
- Intensity IR light: >25 mW/sr
- Infra-Red wavelength ~850nm
- Infra-Red beam follows visible light, or beam is according to local standards

ELECTRICAL CHARACTERISTICS

- Operating voltage: 120-240Vac nominal 50-60Hz
- Power consumption: See table
- Overvoltage protection: Class III according to IEC61643-1

PHYSICAL CHARACTERISTICS

- Dimensions: (L x W x H):
See drawing
- Weight: <3kg
Design degree of protection: IP66
- Operating temperature range:
-40°C/+55 °C
- Supplied with pre-mounted Orga cable for easy installation and high reliability
- Cable bending radius static: 7x cable diameter
- Outer cable diameter: Ø 12.5 +/- 0.5 mm
- Cable weight: 260 g/m

SYSTEM DESIGN, CONTROL AND MONITORING

- Use as a stand-alone light, or in a multiple light system with an Orga CIP controller
- Optional Orga CIP controller facilities provides control interfaces for:
 - “smart switch” aircraft detection input
 - Visibility condition variable intensity input
 - Visibility condition variable intensity input; intensity steps 30% and 10%
 - Remote photocell control input/override



L240-XXX

Low intensity red obstruction light

Product	Light performance			Additional information						
Type	Bracket	Light performance			Power consumption (W) @ 20 °C			Heater* < 0 °C	Heater* >0 °C and <10 °C	Standard
		Day	Tw	Night	Day	Tw	Night			
L240-62A-IRF	-BR	-	-	10 cd Steady Red and IR	1 W	1 W	2.9 W	-	-	ICAO
L240-62A-IRF-H	-BR	-	-	10 cd Steady Red and IR	1 W	1 W	2.9 W	16 W	8 W	ICAO
L240-62Aa-IRFa	-BR	10 cd Steady Red and IR	10 cd Steady Red and IR	10 cd Steady Red and IR	2.9 W	2.9 W	2.9 W	-	-	ICAO
L240-62B-IRF	-BR	-	-	32 cd Steady Red and IR	1 W	1 W	4.9 W	-	-	ICAO
L240-62B-IRF-H	-BR	-	-	32 cd Steady Red and IR	1 W	1 W	4.9 W	16 W	8 W	ICAO
L240-62Ba-IRFa-H	-BR	32 cd Steady Red and IR	32 cd Steady Red and IR	32 cd Steady Red and IR	4.9 W	4.9 W	4.9 W	16 W	8 W	ICAO
L240-62Btn-IRFtn	-BR		32 cd Steady Red and IR	32 cd Steady Red and IR		4.9 W	4.9 W	-	-	ICAO
L240-62Btn-IRFtn-H	-BR		32 cd Steady Red and IR	32 cd Steady Red and IR		4.9 W	4.9 W	16 W	8 W	ICAO

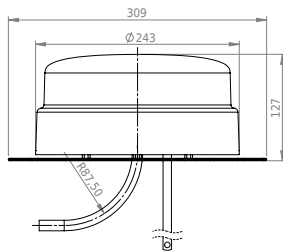
* The heater power consumptions needs to be added to the standard power consumptions. Added power is consumed only when the heater function is active. Heater is activated automatically when temperature is $\leq 10^{\circ}$ C.



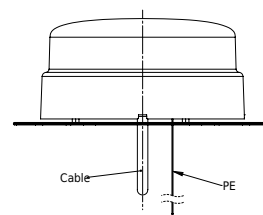
L240-XXX

Low intensity red obstruction light

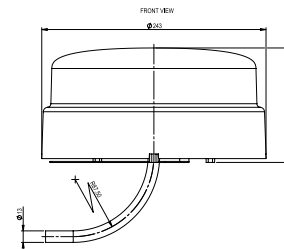
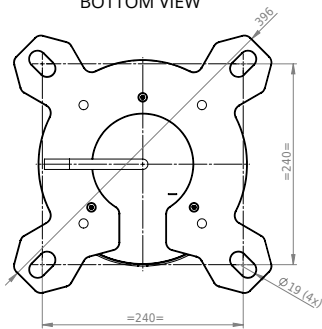
FRONT VIEW



RIGHT VIEW



BOTTOM VIEW



L240-XXX

Low intensity red obstruction light

