

Foghorn, designed to provide 0.5 nautical miles omni-directional coverage. For man-made offshore structures and in line with IALA regulatory requirements. Can be supplied as a main/secondary (2+½ Nm) foghorn together with duplicated controls in the Navaid Central Control Panel (NCCP).



Key features

- Reliable marine foghorn, low cost of ownership
- Operating voltage and code control provided from Navaid Central Control Panel (NCCP)
- Monitoring system integrated in Navaid Central Control Panel (NCCP)
- Offshore coated seawater resistant light alloy body

Standards/Certification

- Complies with UK Department of Energy and Climate Change; Standard marking schedule for offshore installations - April 2011; chapter 4 - secondary fog signal

Performance characteristics

- Morse code 'U' every 30 seconds from Navaid Central Control Panel (NCCP)
- Effective range main foghorn: 0.5 NM
- Horizontal sound divergence: 360°

Electrical characteristics

- Operating voltage: 190 Vac; 860 Hz from Navaid Central Control Panel (NCCP)
- Power consumption: 25 W peak max (Digital modular NCCP)
- Connection details: max. 4 mm²; one M25x1.5 cable gland entry
- Earth connection: internal 4 mm² and external M6

Physical characteristics

- Dimensions (L x W x H): 564 x 461 x 694 mm
- Weight: 70 kg
- Design degree of protection: IP66
- Operating temperature range: -55°C to +55°C

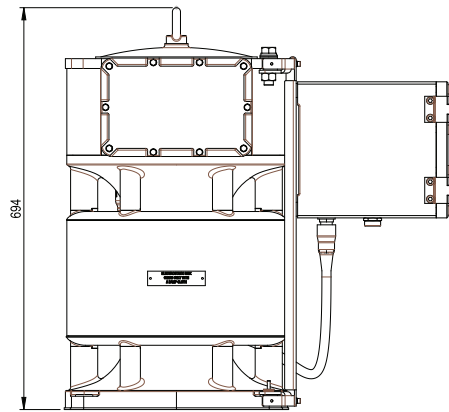
System design, control and monitoring

- Control and monitoring via separate control panel (see separate Custom engineering sheet)

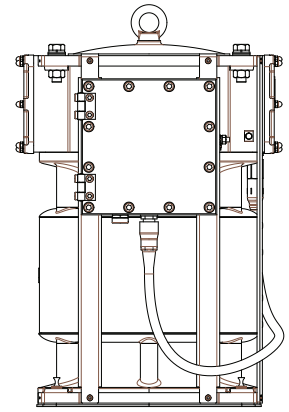
FH800SA-1

Explosion proof foghorn

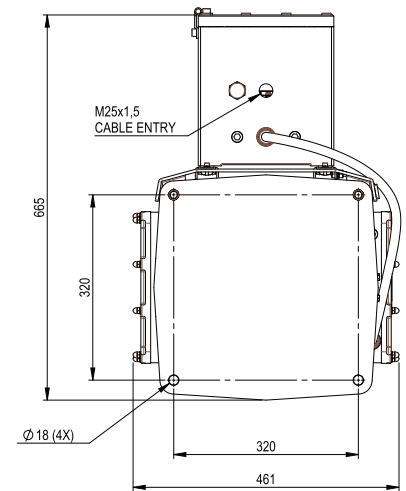
LEFT VIEW



FRONT VIEW



BOTTOM VIEW



Orga BV
Strickledeweg 13
3125 AT SCHIEDAM
The Netherlands

P.O. Box 3046
3101 EA SCHIEDAM
The Netherlands

T +31 (0)10 208 5555
F +31 (0)10 437 8445
info@orga.nl
www.orga.nl