

L85EX-G-xxx

Explosion proof green LED helideck perimeter light

A explosion proof LED helideck perimeter lights to meet the demanding requirements of offshore environmental conditions. The design is based on low power long life LED technology and use of stainless steel. These fittings meet the regulatory requirements for ICAO, CAP437 and IMO.



KEY FEATURES

- Reliable (recessed) mounted helideck perimeter light
- Low cost of ownership
- Low power consumption
- Serviceable unit, parts are interchangeable
- Certified for Zone 1 and 2 areas with increased gas explosion hazard
- Compact design, meeting the maximum 50 mm height restrictions of IMO
- Intensity main beam 30cd green (CAP437)
- Robust, Electropolished stainless steel 316, light weight design
- Spacious, cable connection compartment
- Photometric test of independent institution

PERFORMANCE CHARACTERISTICS

- Steady burning; green
- Intensity: 30 cd (60 cd maximum)
- Horizontal beam coverage: 360°
- Vertical beam profile: as per CAP437 table
- Colour chromaticity within the boundaries as specified by ICAO
- Light source: LED

STANDARDS/CERTIFICATION

- Certified to CAA-UK CAP 437; Offshore helicopter landing areas – Guidance on standards, 9th edition, chapter 4.19
- Certified to IMO standard MODU code; 2009 (Edition 2010), chapter 13.5.21
- Certified to ICAO Annex 14, Volume II; International standards and recommended practices: Aerodromes, 3rd edition, July 2009, chapter 5.3.8
- Cenelec EN 60079-0, EN 60079-7 and EN 60079-18
- SIRA 12ATEX3066; ATEX Ex II 2G Ex e mb IIC T4 Gb
- IEC 60079-0, IEC 60079-7 and IEC 60079-18
- IECEx SIR 12.0026; Ex e mb IIC T4 Gb
- ABNT NBR IEC 60079-0, ABNT NBR IEC 60079-7 and ABNT NBR IEC 60079-18
- NCC 12.1223; Ex e mb IIC T4 Gb (optional)

ELECTRICAL CHARACTERISTICS

- Operating voltage: see table
- Power consumption: see table
- Connection details: M4; two M25x1.5 cable entries
- Earth connection: internal M4 and external M6

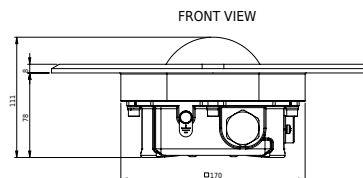
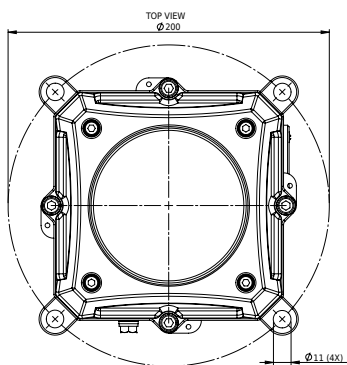
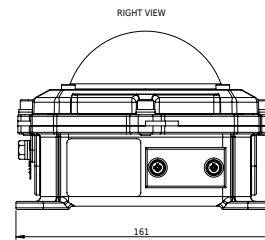
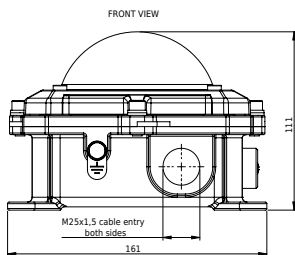
PHYSICAL CHARACTERISTICS

- Dimensions (l x H): see drawing
- Weight: see table
- Design degree of protection: IP66
- Operating temperature range: -40°C to +60°C

L85EX-G-xxx

Explosion proof green LED helideck perimeter light

	Operating voltage range	Power consumption	Weight
L85EX-G-AC	100-254 Vac; 50-60 Hz	4.5 W (6 VA)	3.6 kg
L85EX-G-DC	20-30 Vdc	4 W	3.6 kg
L85EX-G-AC-RE	100-254 Vac; 50-60 Hz	4.5 W (6 VA)	9.1 kg
L85EX-G-DC-RE	20-30 Vdc	4 W	9.1 kg



L85EX-G-xxx

Explosion proof green LED helideck perimeter light

