

L550-HHS

Helicopter Hoist Status light

Green status light for helicopter hoist operation. Steady burning or flashing light to indicate the hoist status. Incorporates the benefits of advanced LED, optical and system control technologies to meet the most demanding applications.



KEY FEATURES

- Five year warranty
- Housing based on 30 years of experience offshore product design experience
- Lightweight and easy to install
- Extremely low wind factor
- Integrated design with built-in photocell and monitoring – no additional power supply enclosures required
- No maintenance required over service life
- Orga optical design produces highly accurate and uniform light beam
- Extremely low power consumption
- 15 year field proven power supply technology
- Long life power supply to match LED life, does not use electrolytic capacitors
- Made in the Netherlands

STANDARDS/CERTIFICATION

- Complies with CAA-UK CAP 437; Offshore helicopter landing areas – Guidance on standards, Dec. 2016, Appendix J – Helicopter hoist light

PERFORMANCE CHARACTERISTICS

- Horizontal beam pattern: 360°
- Steady and flashing mode available according to hoist operation
- Effective intensity: According to CAP437 Helicopter hoist light
- Vertical beam pattern: according to CAP437 Helicopter hoist light

ELECTRICAL CHARACTERISTICS

- Operating voltage: 120-240Vac
- Power consumption: see table

PHYSICAL CHARACTERISTICS

- Dimensions: L x W x H: see drawing
- Weight: 12kg
- Design degree of protection: IP65
- Operating temperature range: -40°C/+55°C
- Shipping information: 550 x 550 x 400 mm; approx. 16kg
- Supplied with pre-mounted Orga cable for easy installation and high reliability
- Cable bending radius = 120mm
- Outer cable diameter \varnothing 14.5 +/- 0.5mm
- Level indicators for correct mounting

SYSTEM DESIGN, CONTROL AND MONITORING

- Use with an Orga controller

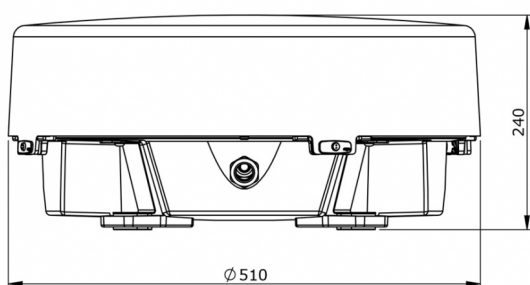


L550-HHS

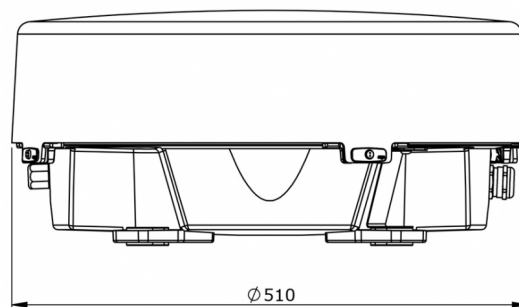
Helicopter Hoist Status light

Product	Additional information			
Type	Power consumption (W) @ 20°C			Standard
	Off	Day	Night	
HHS flashing mode	6	23	7	CAP437
HHS steady mode	6	23	7	CAP437

FRONT VIEW



LEFT VIEW



BOTTOM VIEW

