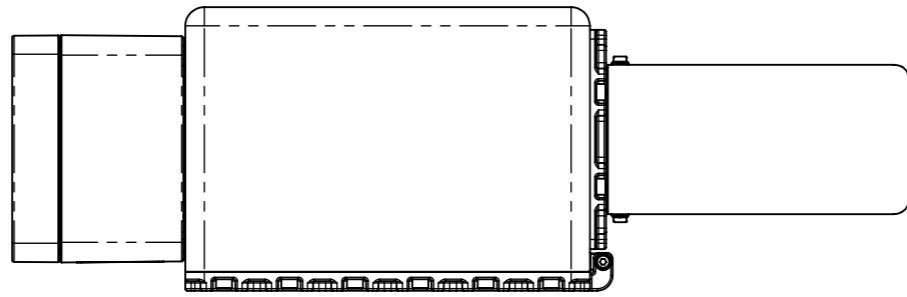


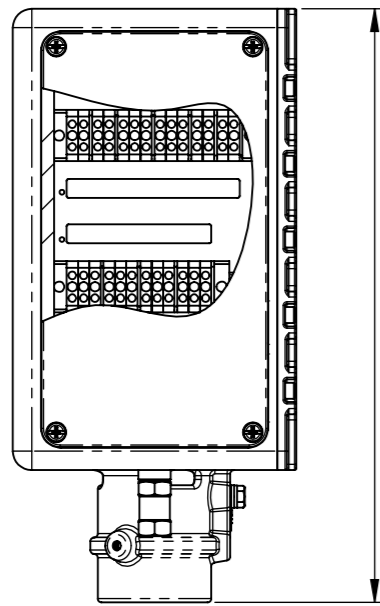
TOP VIEW



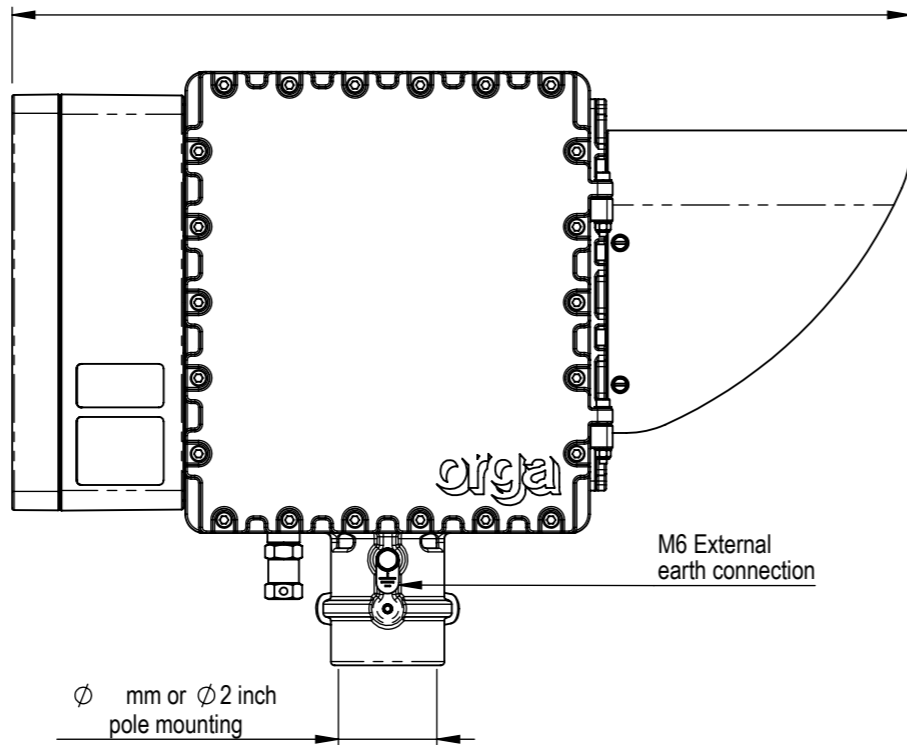
SPARE PARTS LIST

PART NO		REFERENCE	DESCRIPTION
	EW15_2 end bracket		
015131	AKZ 4 terminal		
015133	AP AKZ4 plate		

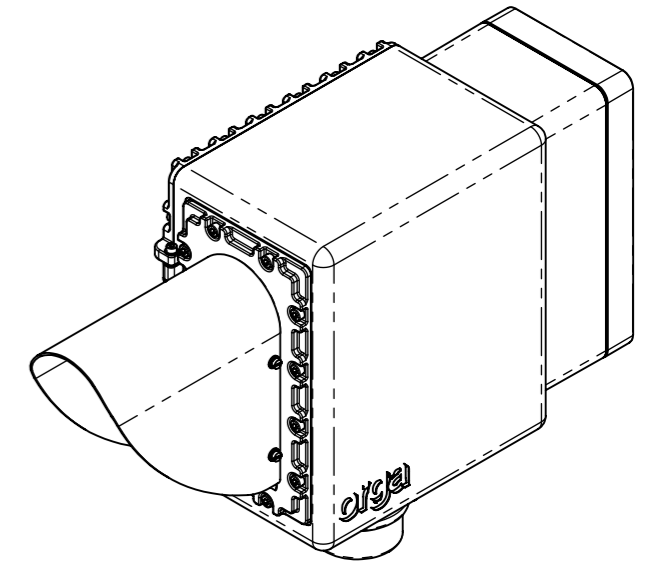
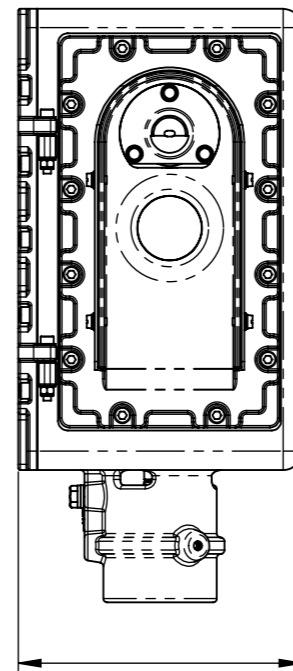
BACK VIEW



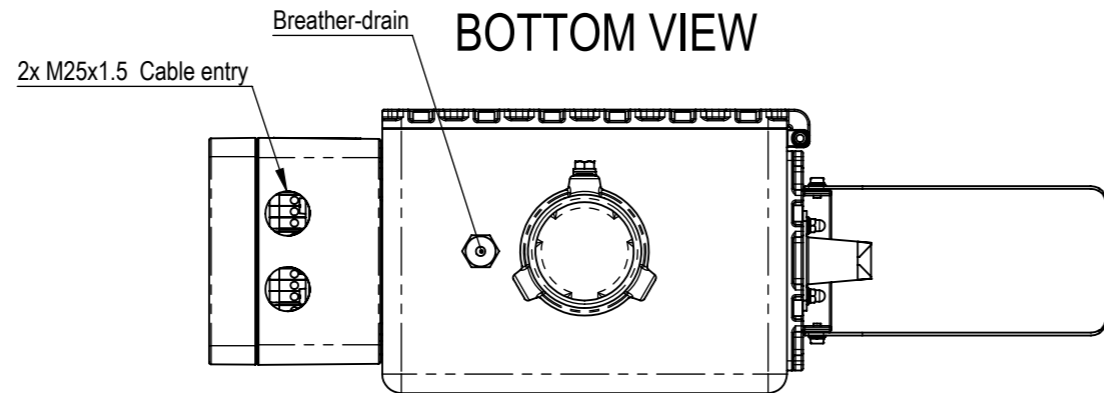
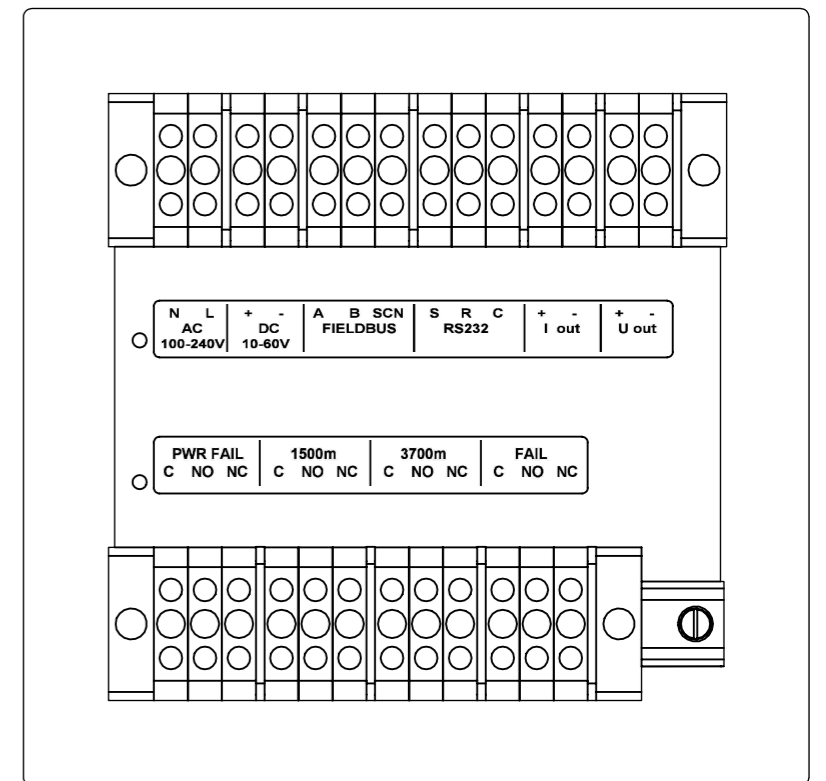
LEFT VIEW



FRONT VIEW



CLIENT CONNECTION



Note: all values are typical values

VDX05EX-NNNx	
Marking	: II 2G Ex de II T5
Certificate no.	: KEMA 05ATEX2189
IP rating	: IP66
Weight	: 20kg / 44.1lbs
Material	: Stainless steel

Rev.	Date	Drawn: AdB	Date: 03-02-2006
5	28-12-2007	Checked:	Date:
6	28-12-2009	Scale: 1:4	
7	18-08-2010	Sheet: 1 of 2	
8		Arrangement drawing	
4	14-12-2007		

Client ref.:
All rights of design or invention are reserved

Visibility meter
TYPE: VDX05EX-NNNx

Client:

orga.
Strickledeweg 13
NL - 3125 AT SCHIEDAM
T +31 (0)10 208 5555
info@orga.nl
www.orga.nl

Project nr.:
P5119

Drawing nr.:
5119- GA01