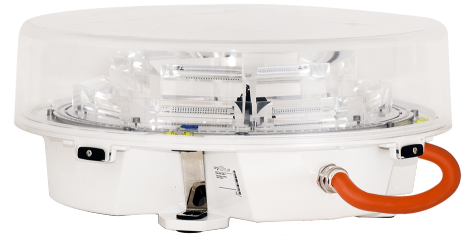


L550 Red + Infra-Red

Medium intensity Red LED obstruction light

Red flashing Obstruction light for night time marking of structures that present a hazard to aviation. Red flashing / steady/Infra-Red in night mode. Incorporates the benefits of advanced LED, Infra-Red optical and system control technologies to meet the most demanding applications.



KEY FEATURES

- Five year warranty
- Housing based on 30 years of experience offshore product design experience
- Lightweight and easy to install
- Extremely low wind factor
- Integrated design with built-in photocell and monitoring – no additional power supply enclosures required
- No maintenance required over service life
- Orga optical design produces highly accurate and uniform narrow light beam
- Optional Integrated GPS based flash synchronisation between lights. UTC 0.0.0
- Extremely low power consumption
- 15 year field proven power supply technology
- Long life power supply to match LED life, does not use electrolytic capacitors
- Optional heaters for use in cold environments
- Made in the Netherlands

STANDARDS/CERTIFICATION

- Certified to ICAO Annex 14 Volume 1, Sixth Edition, July 2013, Chapter 6, Medium Intensity Type B / C obstacle light
- Certified to AVV (German “General Administrative Regulation for the marking and lighting of obstacles to air navigation”) “Feuer W, rot”
- Various national approvals available upon request

PERFORMANCE CHARACTERISTICS

- Horizontal beam pattern: 360°
- Flashing: see table
- Effective intensity: see table
- Vertical beam pattern: 3° minimum
- Infra-Red wavelength ~850 nm
- Infra-Red beam follows visible light, or beam is according to local standards

ELECTRICAL CHARACTERISTICS

- Operating voltage: 120-240 Vac nominal 50-60 Hz
- Power factor: >0.8
- Power consumption: see table
- Overvoltage protection: Class III according to IEC61643-1

PHYSICAL CHARACTERISTICS

- Dimensions: L x W x H: see drawing
- Weight: 12 kg
- Design degree of protection: IP65
- Operating temperature range: -40 °C/+55 °C
- Shipping information: 550 x 550 x 400 mm; approx. 16 kg
- Supplied with pre-mounted Orga cable for easy installation and high reliability
- Cable bending radius static: 7x cable diameter
- Outer cable diameter: Ø12.5 +/- 0.5 mm
- Cable weight: 260 g/m
- Level indicators for correct mounting

SYSTEM DESIGN, CONTROL AND MONITORING

- Use as a stand-alone light, or in a multiple light system with an Orga CIP controller
- Optional Orga CIP controller facilities provides control interfaces for:
 - “smart switch” aircraft detection input
 - Visibility condition variable intensity input
 - Remote photocell control input/override
 - Visibility condition variable intensity input; intensity steps 30% and 10%



L550 Red + Infra-Red

Medium intensity Red LED obstruction light

Product	Light performance			Additional information					Standard
Type	Light performance			Power consumption (W) @ 20 °C			Heater* < -20 °C	Heater* >-20 °C and <10 °C	Standard
	Day	Tw	Night	Day	Tw	Night			
L550-63B-IR-G	-	-	2.000 cd Red 20 fpm IR	5 W	5 W	19 W			ICAO
L550-63Ba-IR-G	2000 cd 20 fpm	2000 cd 20 fpm	2000 cd 20 fpm Red and IR	18 W	18 W	19 W			ICAO
L550-63B-ISA-H-IR-G		2000 cd 20 fpm Red and IR	200 cd 20 fpm Red and IR	5 W	18 W	9 W	45 W	23 W	ICAO
L550-63B-ISA-IR-G	-	2000 cd 20 fpm Red and IR	200 cd 20 fpm Red and IR	5 W	20 W	9 W			ICAO
L550-63B-ISB-IR-G	2000 cd 20 fpm Red and IR	2000cd 20 fpm Red and IR	200cd 20fpm Red and IR	20 W	20 W	9 W			ICAO
L550-63B-ISB-H-IR-G	2000 cd 20 fpm Red and IR	2000cd 20fpm Red and IR	200cd 20fpm Red and IR	18 W	18 W	8 W	45 W	23W	ICAO
L550-63C-IR	-	-	2.000 cd steady Red and IR	5 W	5 W	27 W	45 W	23 W	ICAO
L550-63Ca-IRa	2.000 cd steady Red and IR	2.000 cd steady Red and IR	2.000 cd steady Red and IR	27 W	27 W	27 W			ICAO
L550-3E5-W-IRM-G	-	-	2.000 cd "morse W" and IR 60fpm	5 W	5 W	2 9W			CAA + MOD
L550-UK1-IRM-G		-	25 cd Red and IR 60 fpm	5 W	5 W	16 W			MOD



L550 Red + Infra-Red

Medium intensity Red LED obstruction light

Product	Light performance			Additional information					Standard
Type	Light performance			Power consumption (W) @ 20 °C			Heater* < -20 °C	Heater* >-20 °C and <10 °C	
	Day	Tw	Night	Day	Tw	Night			
L550-IRM-G	-	-	IR 60 fpm	-	-	19 W			MOD
L550-GFW-ES-IRG1-G	-	-	„Feuer W ES“ + IR (see note 2)	5 W	5 W	12 W			AVV
L550-GFW-ES-IRG2-G			„Feuer W ES“ + IR (see note 2)	5 W	5 W	13 W			AVV

* The heater power consumptions needs to be added to the standard power consumptions. Added power is consumed only when the heater function is active. Heater is activated automatically when temperature is ≤ 10 ° C and is only required in night mode.

Note 2: The IR output of the L550-GFW-ES-IRG1-G is 200mW/sr.

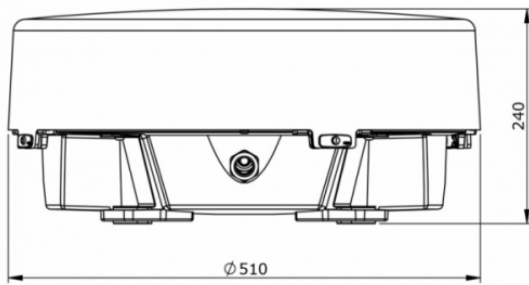
Note 3: The IR output of the L550-GFW-ES-IRG2-G is 600mW/sr.



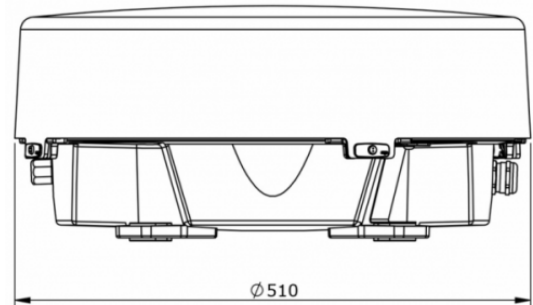
L550 Red + Infra-Red

Medium intensity Red LED obstruction light

FRONT VIEW



LEFT VIEW



BOTTOM VIEW

