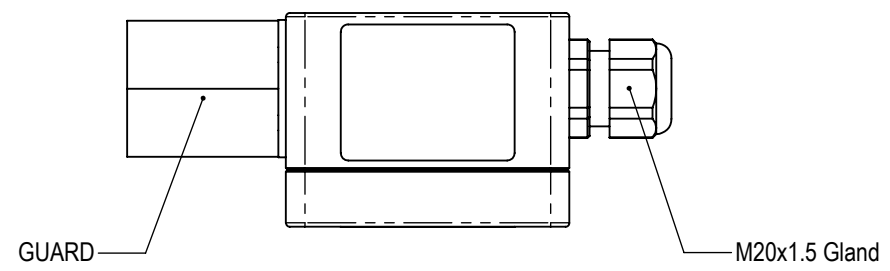
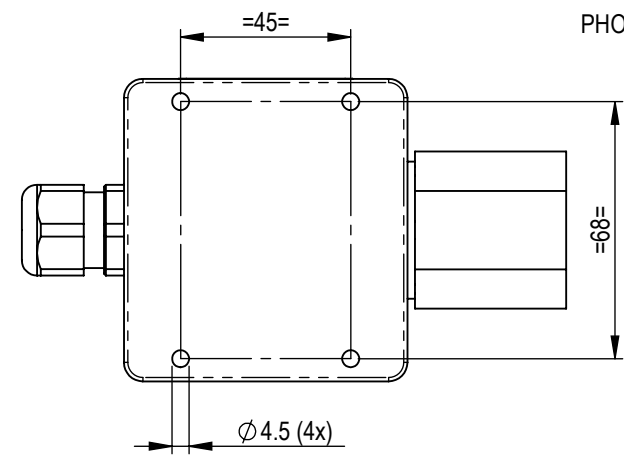


SPARE PARTS LIST			
PART NO	NAME	REFERENCE	DESCRIPTION
014415	HSK-K-Ex gland		M20 ; 6.5-12mm
	E-MK end bracket		
015129	AKE 4 PE terminal		
	D-MXK 4 cover		
	MXK 4 terminal		

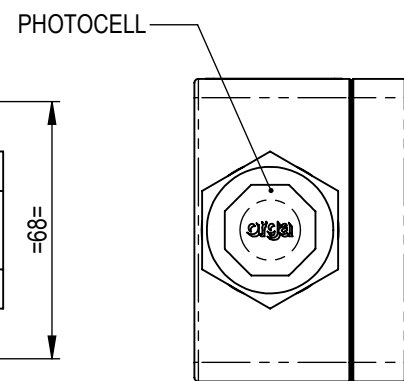
TOP VIEW



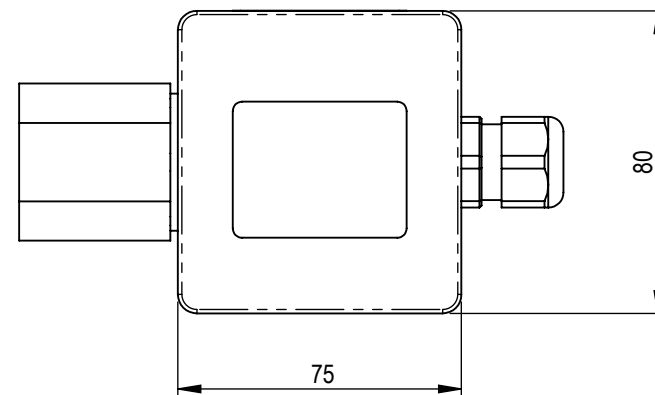
BACK VIEW



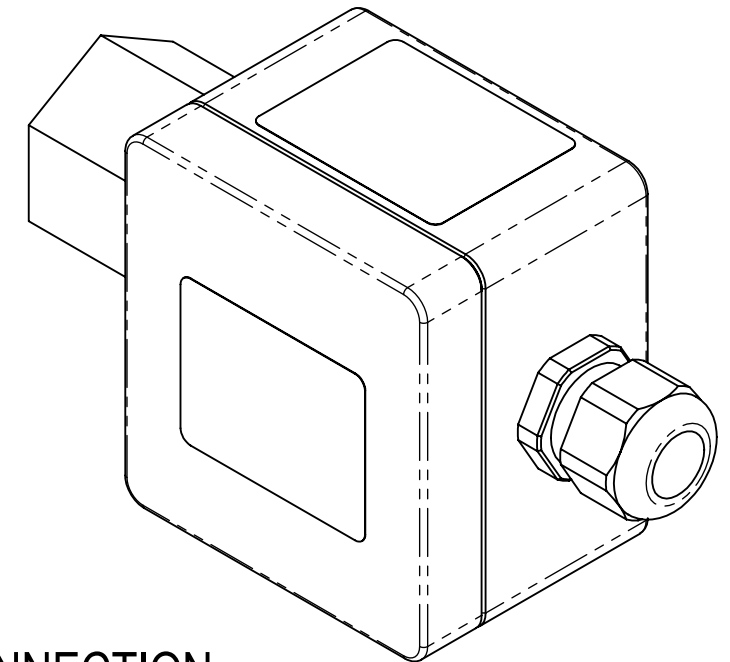
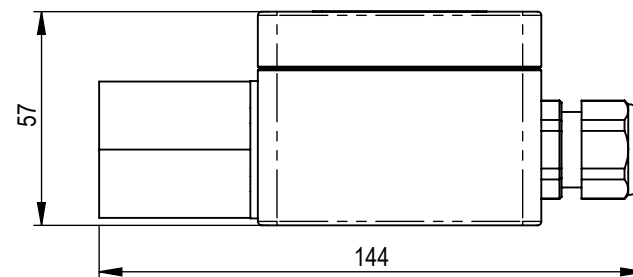
LEFT VIEW



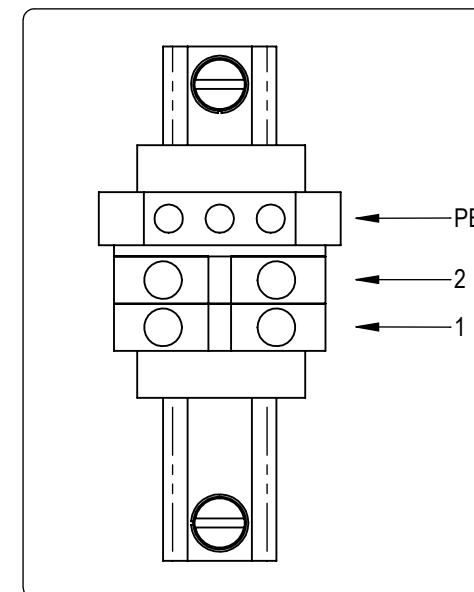
FRONT VIEW



BOTTOM VIEW



CLIENT CONNECTION



Note: all values are typical values

SS24EX	
Marking	: II 2G EEx em II T6
Certificate no.	: KEMA 02ATEX2267 X
IP rating	: IP66
Weight	: 0.5kg / 1.10lbs
Material	: Non metallic

Rev.	Date	Drawn: JWD	Date: 29-08-2003	Client ref.:
0	29-08-2003	Checked:	Date:	
1	09-02-2004	Scale: 1:2		
2	12-11-2007	Sheet: 1 of 1		
3	28-12-2009	Arrangement drawing		All rights of design or invention are reserved
4	09-08-2010			

Photocell  
TYPE: SS24EX

Client:

**orga.**  
Strickledeweg 13  
NL - 3125 AT SCHIEDAM  
T +31 (0)10 208 5555  
info@orga.nl  
www.orga.nl

Project nr.:  
P5081

Drawing nr.:  
5081- GA11