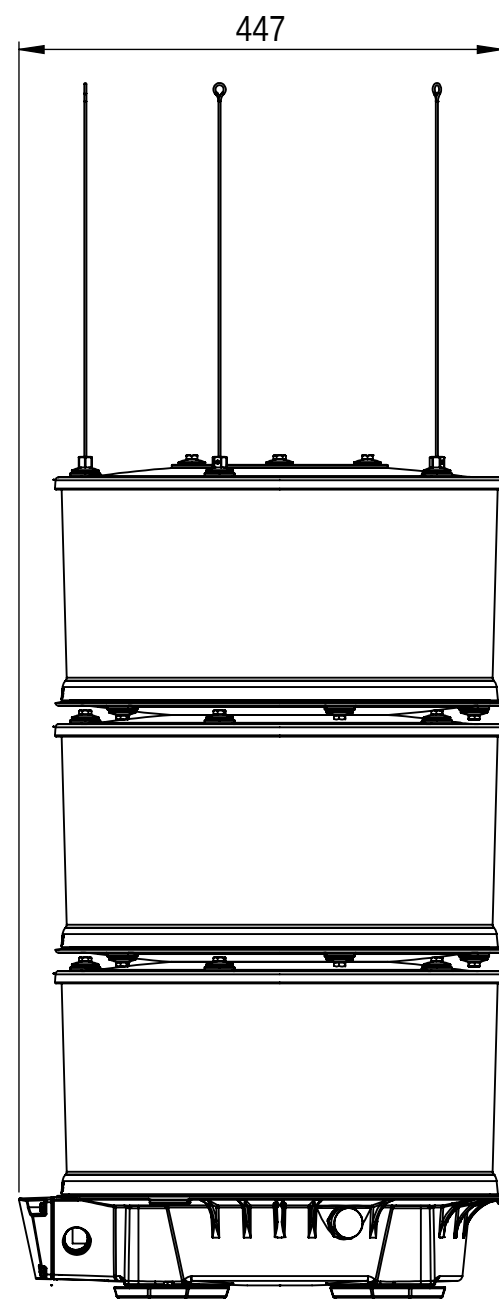
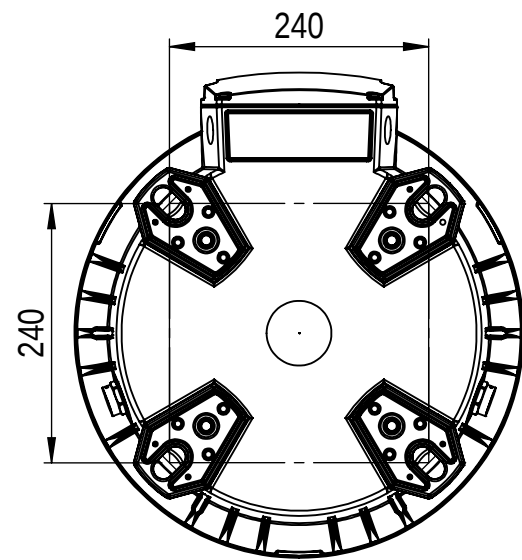


FRONT VIEW

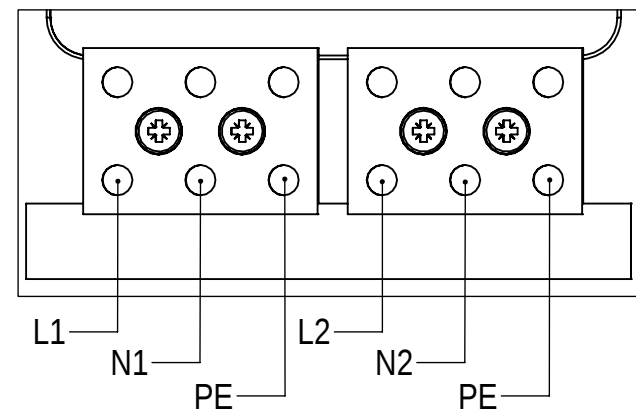


RIGHT VIEW

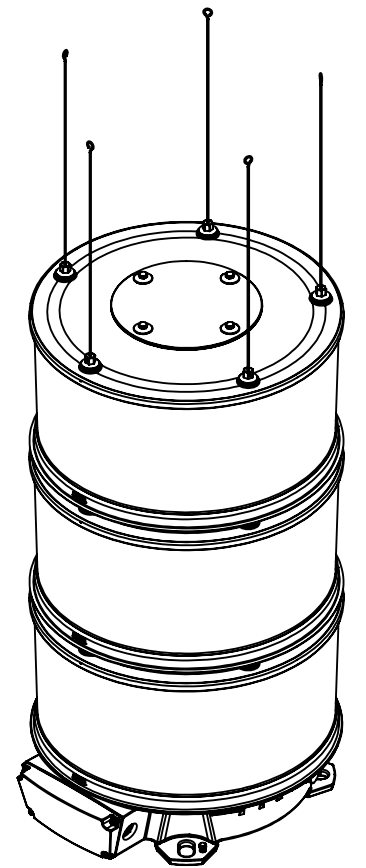
CLIENT CONNECTION




BOTTOM VIEW



DETAIL A  
SCALE 1:1



All rights of design or invention are reserved

Units: mm, tolerances: 0/a mm unless otherwise indicated		Revision Notes: Added client connection		Revision: <b>D\$&amp;</b>		 GH]W`YXYk Y[ '% B@! ' %&) '5H'G7 <-98 5A H'Z ' %f\$%\$' &\$, ))) ]bZ:4 cf[ U"b" k k k "cf[ U"b"
Scale: 1:7		Sheet Size: A3		Revision Date: 05-09-2014		
DocType: GA Offshore Drawing		<b>L410EX-W-15F</b>		Project Nr.: RD1005135		Project Name: L410EX
		TYPE: L410EX-x-xxx		Drawing nr.: \$%, (\$		Filename Ref.: SW-0002731
						Sheet: 1 of 1