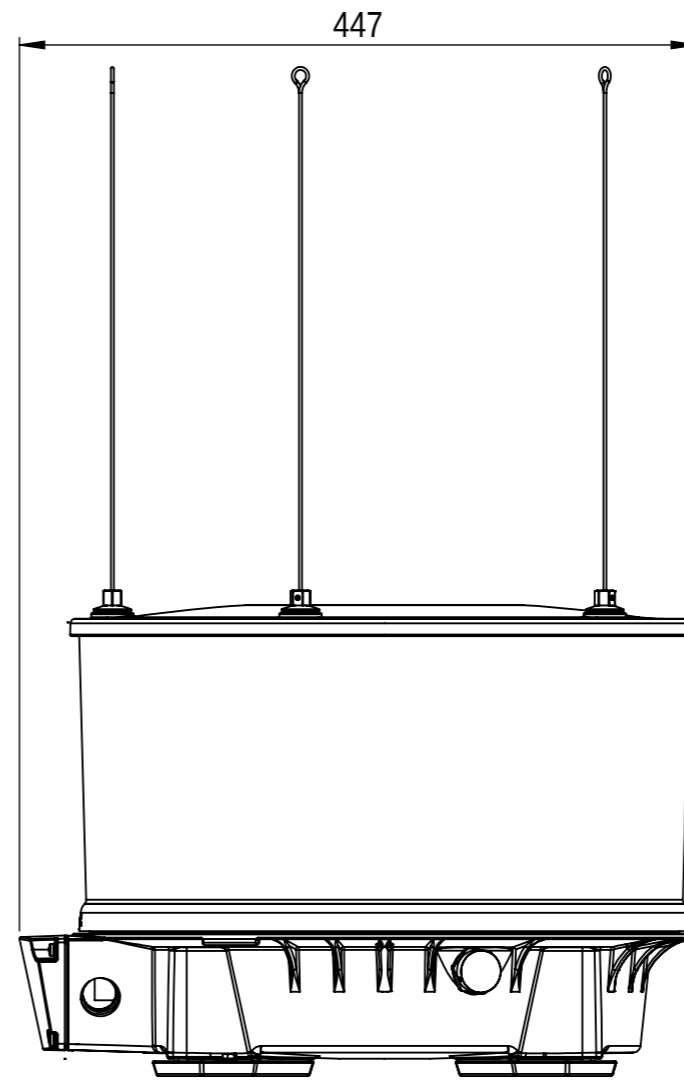
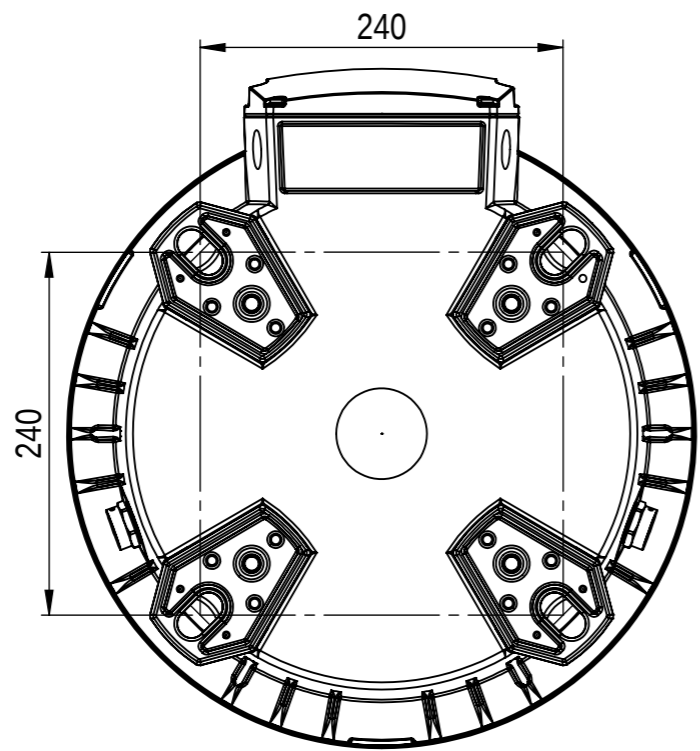


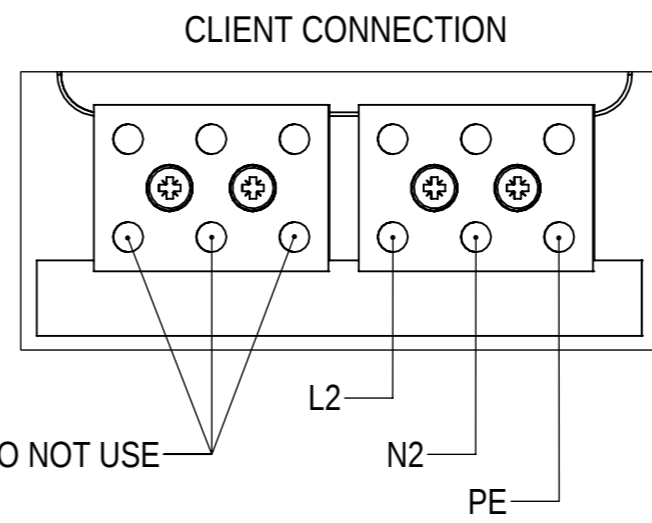
FRONT VIEW



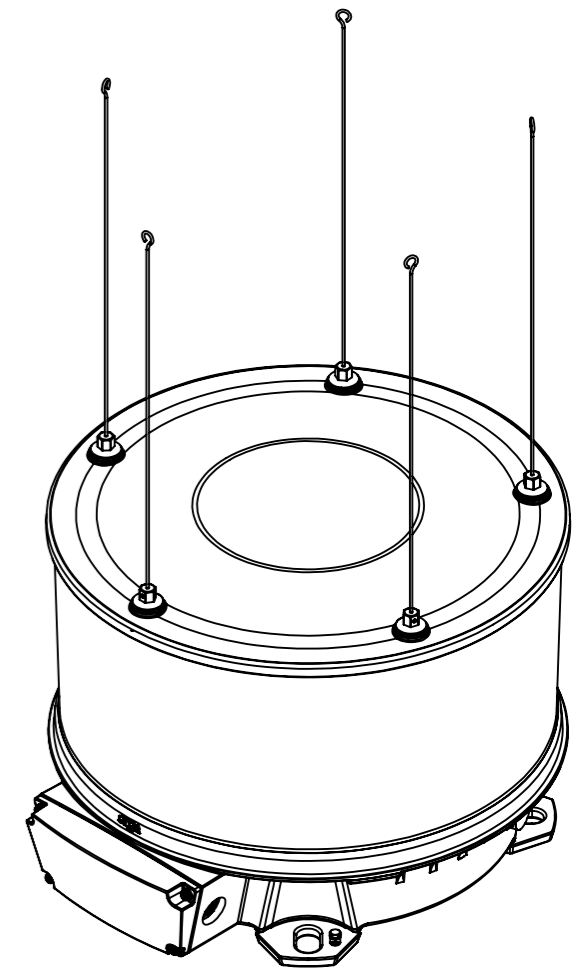
RIGHT VIEW



BOTTOM VIEW



DETAIL A
SCALE 1 : 1



Units: mm, tolerances: 0n/a mm unless otherwise indicated	
Scale: 1:5	Sheet Size: A3
DocType: GA Offshore Drawing	

Revision Notes: Added client connection
L410EX-W-10
TYPE: L410EX-x-xxx

Revision: D\$(
Revision Date: 05-09-2014

orga	
Project Nr.: RD1005135	
Project Name: L410EX	
Drawing nr.: \$%, ' -	
Filename Ref.: SW-0002715	Sheet: 1 of 1