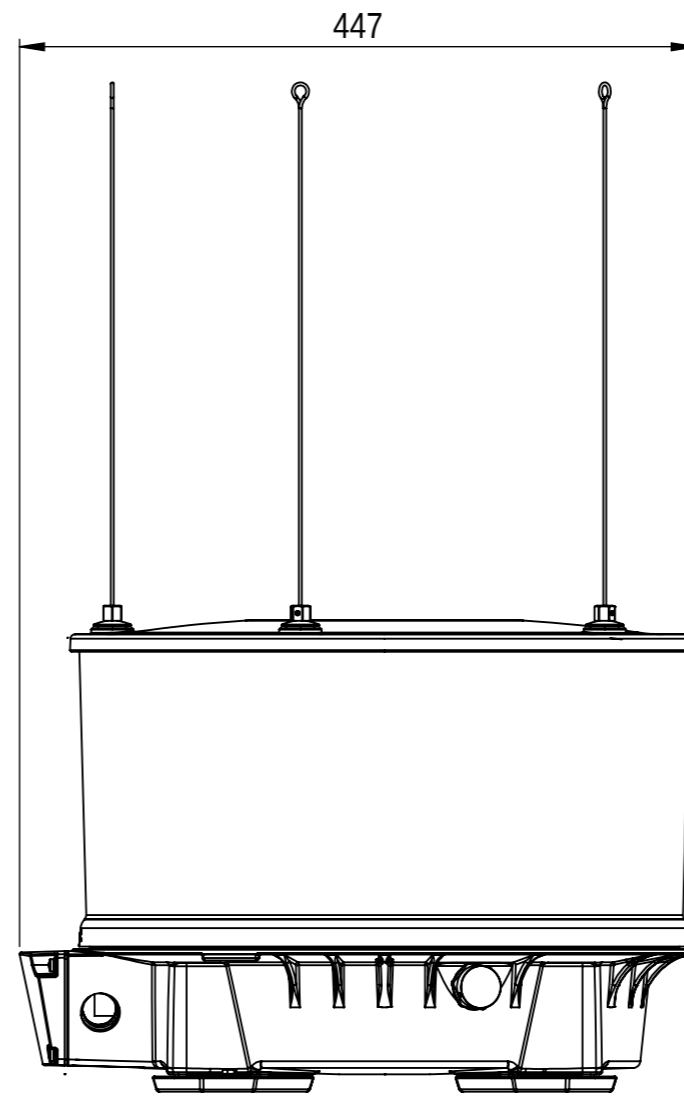
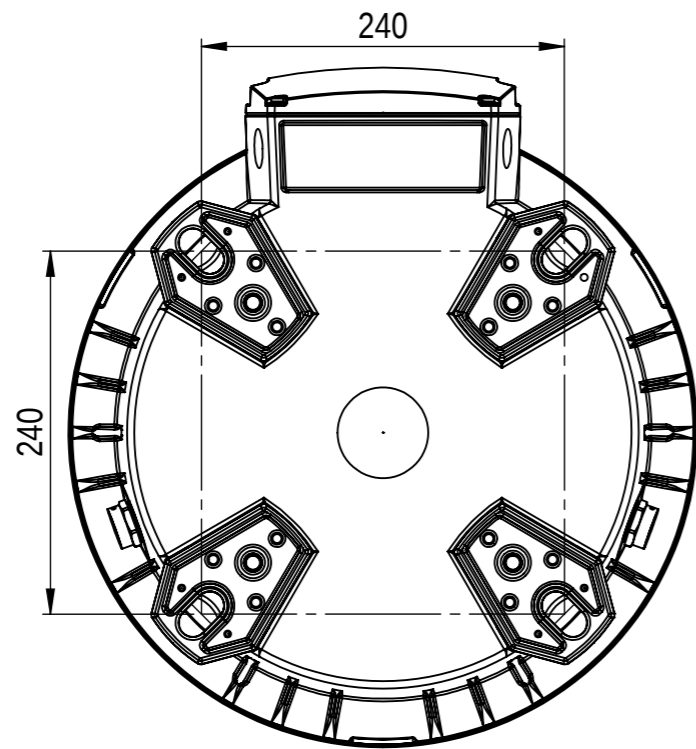


FRONT VIEW

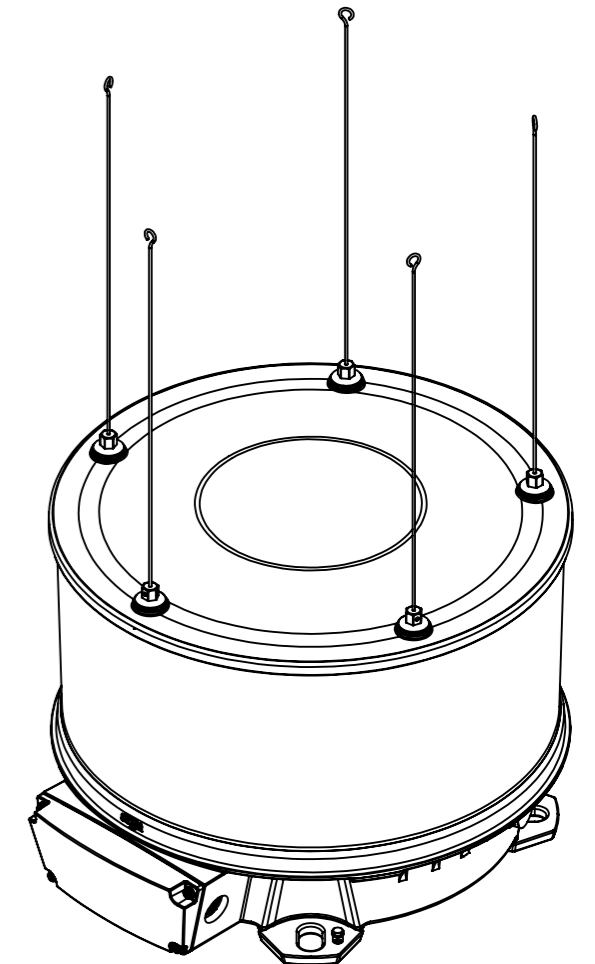
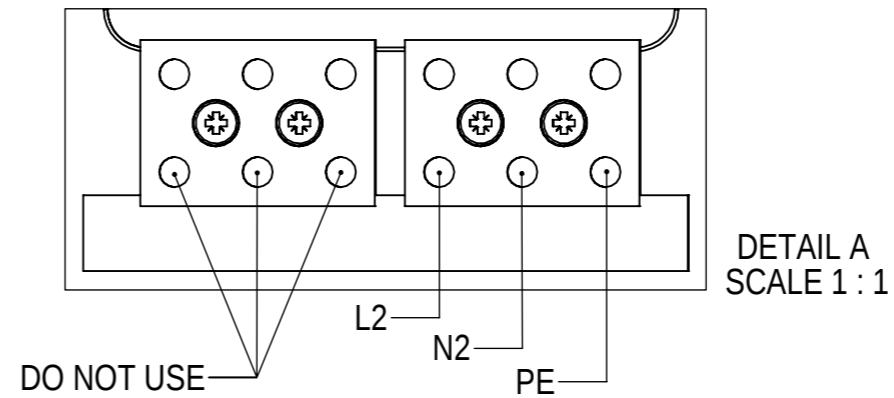


RIGHT VIEW




BOTTOM VIEW

CLIENT CONNECTION



All rights of design or invention are reserved

Units: mm, tolerances: $\pm$ or /a mm unless otherwise indicated		Revision Notes: Added client connection		Revision: <b>D\$%</b>		 GH]W`YXYk Y[ ` % B@! ' ' %&) '5H'G7 <-98 5A H'Z ' %f8E%\$' &\$, '))) ]bZ:4 cf[ U"b" k k k "cf[ U"b"
Scale: 1:5		Sheet Size: A3		Revision Date: 05-09-2014		
DocType: GA Offshore Drawing		<b>L410EX-W-06</b>		Project Nr.: RD1005135		Project Name: L410EX
		TYPE: L410EX-x-xxx		Drawing nr.: <b>\$% ' &amp;*</b>		Filename Ref.: SW-0004294
						Sheet: 1 of 1