

HWC2000EX-MKII-xxx

Explosion proof illuminated windsock

Designed with an internal floodlight to illuminate the windsock and prevent glare. The explosion proof illuminated windsock provides wind-speed and direction indication to pilots during landing and take-off.



Key features

- Reliable wind direction and wind-speed indication for helicopter operations
- Low cost of ownership
- Low power consumption
- No dazzling of pilot because of internal sock illumination
- No corrosion stainless steel 316 body
- Easy to install
- Suitable for Zone 1 and Zone 2 areas with gas explosion hazard
- Various operating voltages
- Aeronautical obstruction light (L85EX-R-AC-32) can be mounted on the top if required

Standards/Certification

- Complies with CAA-UK CAP 437; Offshore helicopter landing areas – Guidance on standards, Dec. 2008, chapter 4, paragraph 1.5 – Illuminated windsock
- Complies with ICAO Annex 14, Volume II; International standards and recommended practices: Aerodromes, chapter 5.1.1 – Wind direction indicators for elevated Heliports & Helidecks
- Cenelec EN 50014 and EN 50018
- KEMA 02ATEX2060 (slip ring); ATEX $\text{Ex II 2G EEx d IIB T6}$
- Cenelec EN 60079-0 and EN 60079-1
- BVI 07ATEX0024 (floodlight); ATEX $\text{Ex II 2G Ex d IIC T3}$
- Cenelec EN 50014 and EN 50019
- PTB 01ATEX1136 (EEx e connection box) EEx e II T6
- Overall product gas group and temperature class IIB T3

Performance characteristics

- Sock colour; red/white/red/white/red or orange
- Sock length: 1,200mm

Electrical characteristics

- Operating voltage: see table
- Power consumption: see table
- Connection details: max. 4mm²; one GPR M20x1.5 cable gland and one GPR M20x1.5 blind plug
- Earth connection: internal max. 4mm² and external M8

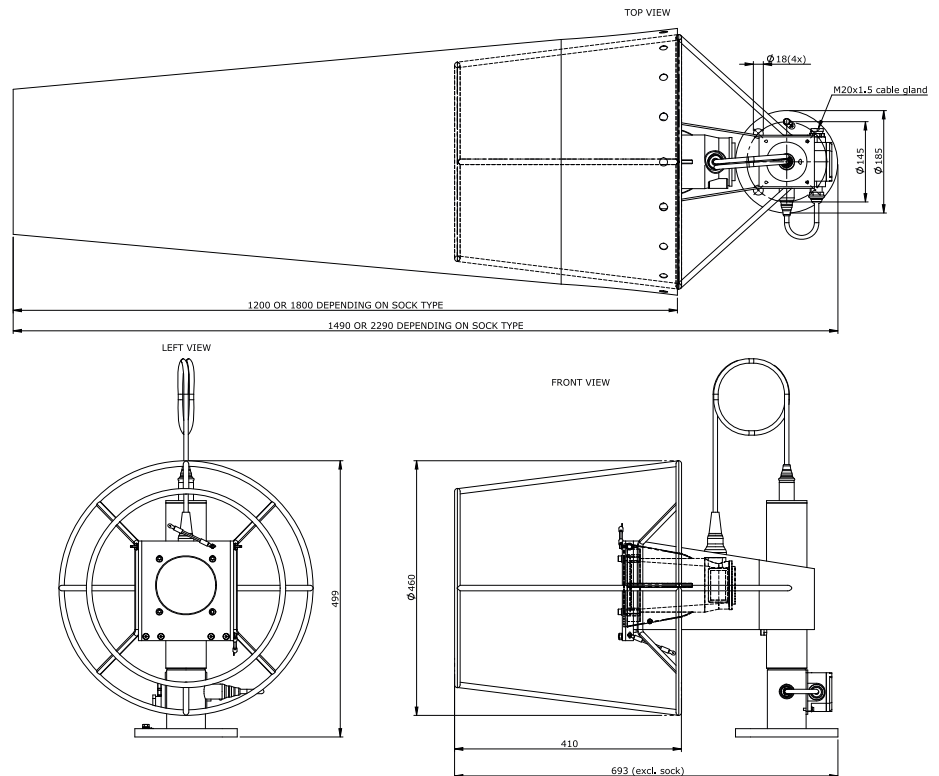
Physical characteristics

- Dimensions (L x W x H): 693 x 460 x 499mm (excl. sock)
- Weight: 22kg
- Degree of protection: IP66
- Operating temperature range: -20°C to +40°C

HWC2000EX-MKII-xxx

Explosion proof illuminated windsock

Type designation	Power consumption (W)	Frequency (Hz)	Voltage (Vac)
HWC2000EX-MKII-230	15W	50/60Hz	230Vac
HWC2000EX-MKII-120	15W	50/60Hz	120Vac



Orga BV
Strickledeweg 13
3125 AT SCHIEDAM
The Netherlands

P.O. Box 3046
3101 EA SCHIEDAM
The Netherlands

T +31 (0)10 208 5555
F +31 (0)10 437 8445
info@orga.nl
www.orga.nl