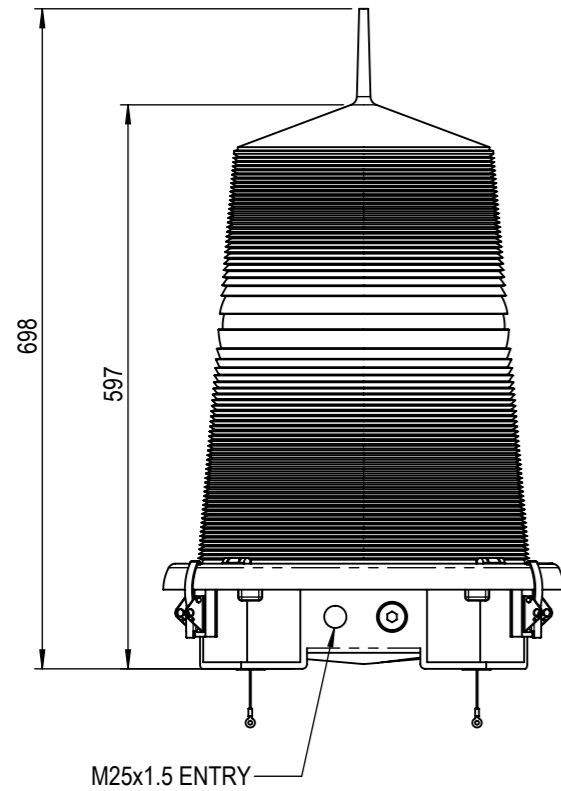
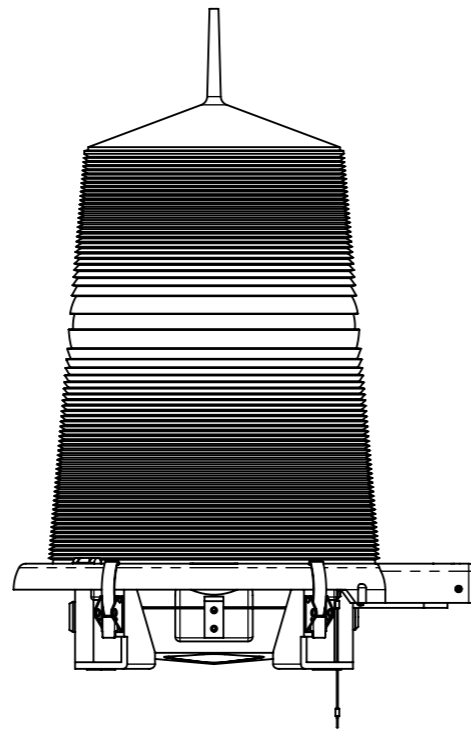


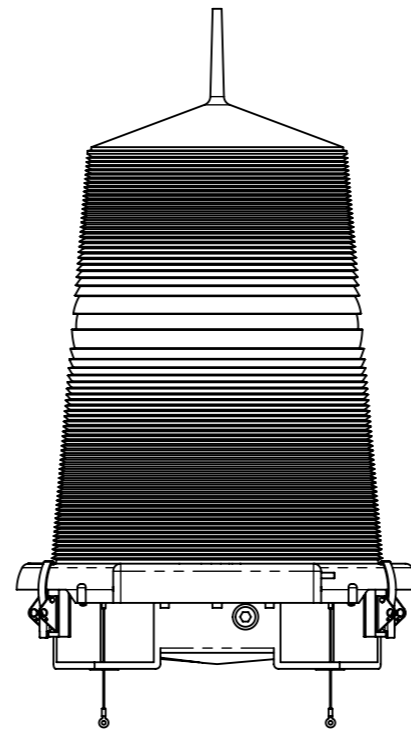
FRONT VIEW



RIGHT VIEW



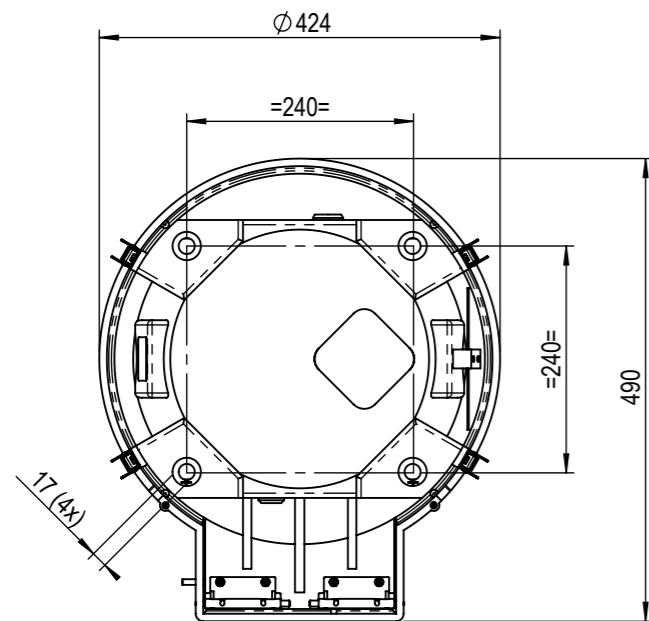
BACK VIEW



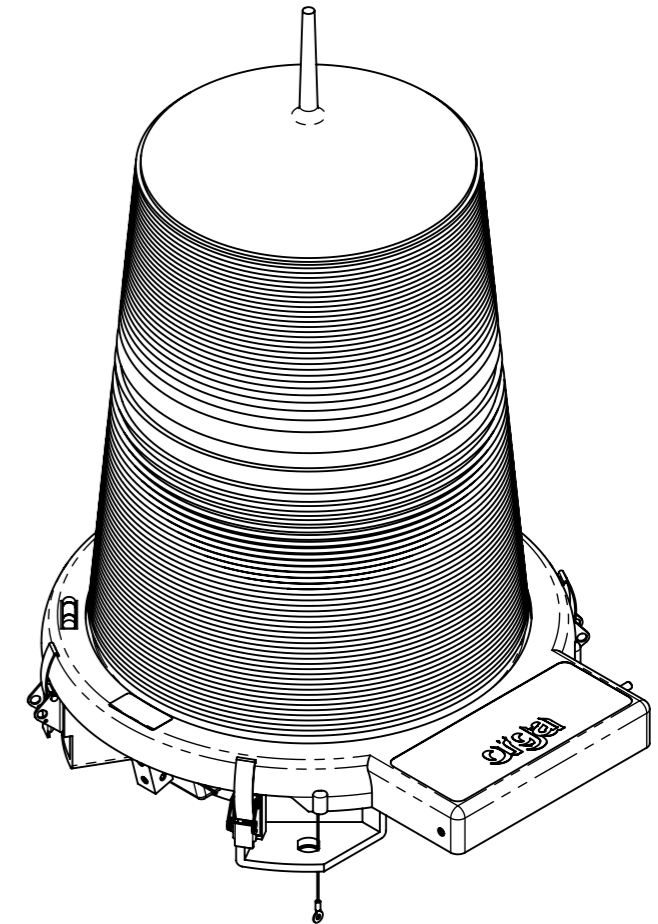
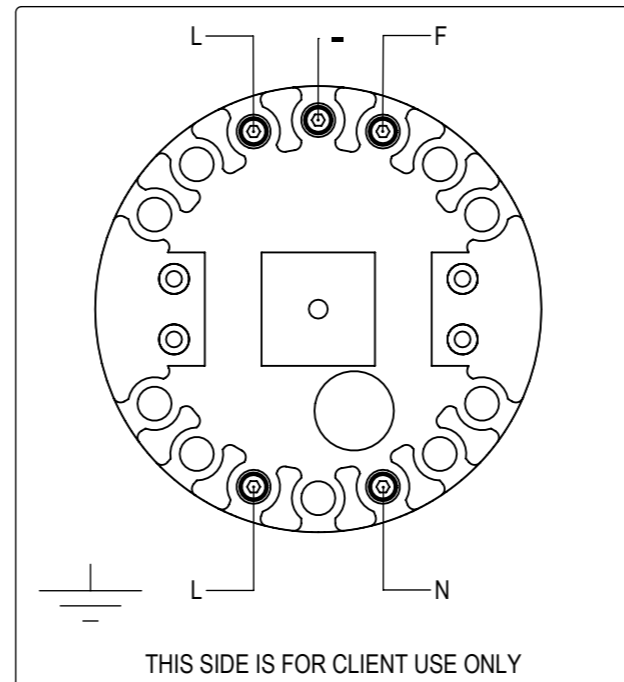
SPARE PARTS LIST

PART NO	NAME	REFERENCE	DESCRIPTION
011180	Base assembly	L303	Plastic, ca. 400x460x110
017682	O-ring	L3xx	Rubber, ca. ID 363,5 mm x $\phi$ 7 mm
012292	97-50 latch		
N.A.	M4 hexagon head bolt		
N.A.	M6 hexagon head bolt		
011643	Lens assembly	L303	Red transparant plastic, ca. 629x490x424
013404	L303 internals	L303	
010434	ALC6EX-09	ALC6EX	Automatic lampchanger
016444	MPM09EX	MPM09EX	Control Unit
014306	Silicagel assembly		
015467	Cable tie mounting base		HMB19199C
014735	Bush	ALC6EX	Bronze, ca. 18x10.5

BOTTOM VIEW



CLIENT CONNECTION



Note: all values are typical values

L303EX-R-H20-055	
Marking	:  II 2GD EEx edm IIB T3 T65°C
Certificate no.	: KEMA 02ATEX2050
IP rating	: IP65 (by design)
Weight	: 12kg / 26.5lbs
Material	: Non metallic

Rev.	Date	Drawn: J.F.	Date: 05-11-2007	Client ref.:
0	05-11-2007	Checked:	Date:	
1	31-03-2009	Scale: 1:8		
2	30-12-2009	Sheet: 1 of 1		
3	09-08-2010	Arrangement drawing		All rights of design or invention are reserved
4	06-05-2013			

Lighting fixture  
TYPE: L303EX-R-H20-055

**orga.**  
Strickledeweg 13  
NL - 3125 AT SCHIEDAM  
T +31 (0)10 208 5555  
info@orga.nl  
www.orga.nl

Project nr.: P5066  
Drawing nr.: 5066- GA41