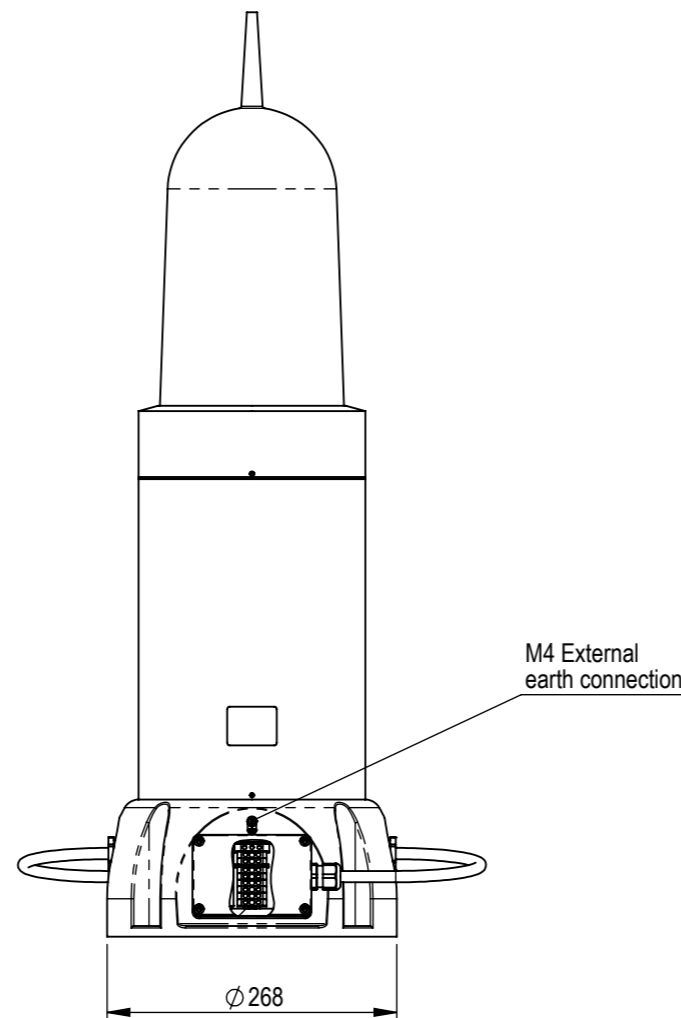
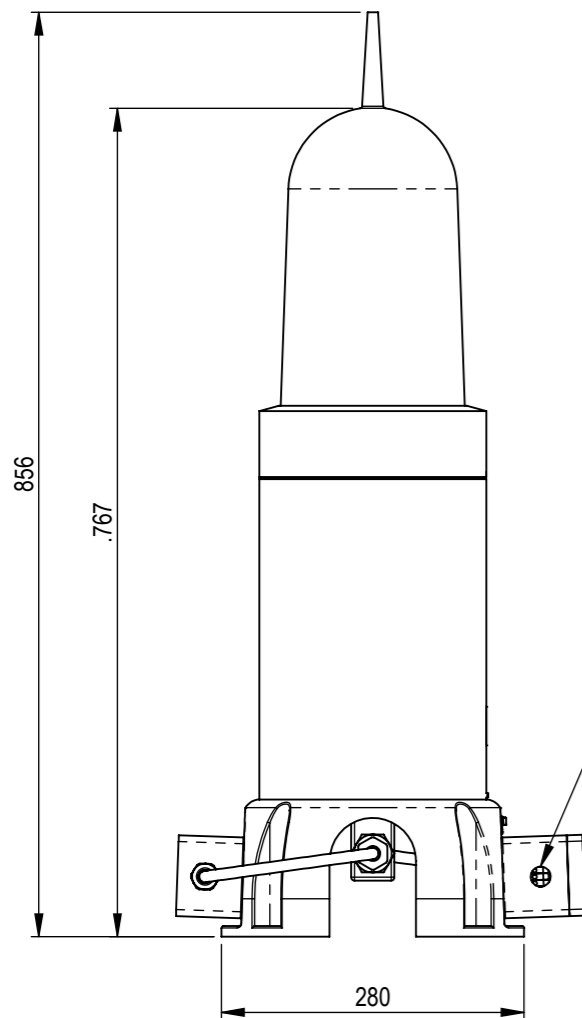


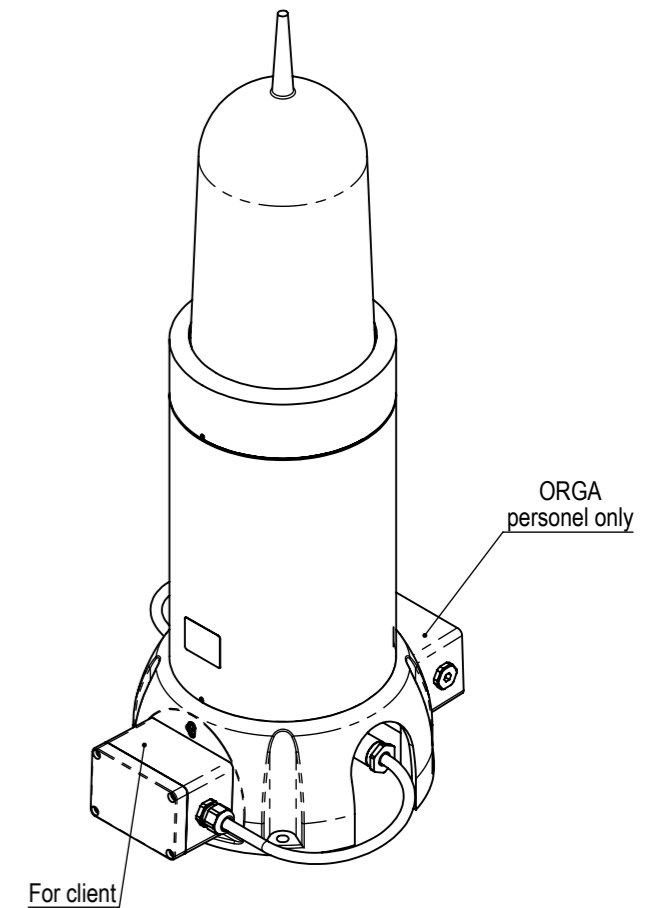
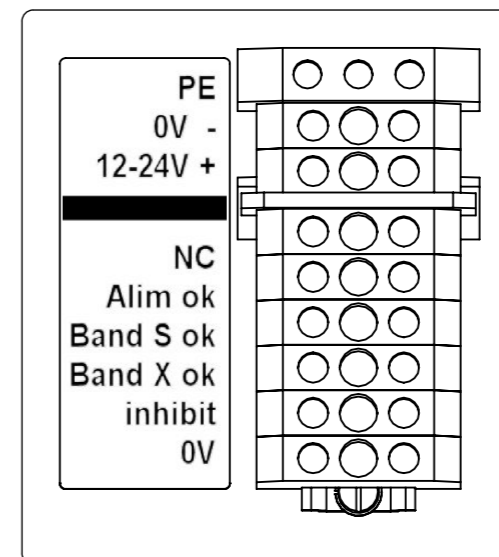
FRONT VIEW

LEFT VIEW



SPARE PARTS LIST			
	NAME	REFERENCE	DESCRIPTION
	Junction box assembly		GRP, ca. 110x75x85
	AKE 4 terminal		
	AKZ 4 terminal		
	Connection Label		
	HSK-K-Ex gland		M20 ; 6.5-12mm
	Junction box assembly		GRP, ca. 110x75x85
	AKE 4 terminal		
	AKZ 4 terminal		
	HSK-K-Ex gland		M20 ; 6.5-12mm
			3M 7871E, 46x36mm
	A2F Gland		20-Metric

CLIENT CONNECTION



Note: all values are typical values

Marking	: II 2G Ex de IIB T6
Certificate no.	: KEMA 06ATEX0018
IP rating	
Weight	: 30kg / 66.1lbs
	: Stainless steel

Rev.	Date	Drawn: JWD	Date: 16-01-2006	Client ref.:
5	28-12-2009	Checked:	Date:	
6	18-08-2010	Scale: 1:7		
7		Sheet: 1 of 1		
3	01-08-2006	Arrangement drawing		All rights of design or invention are reserved
4	21-11-2007			

Radar beacon

TYPE: ITR04EX

**orga.**  
Strickledeweg 13  
NL - 3125 AT SCHIEDAM  
T +31 (0)10 208 5555  
info@orga.nl  
www.orga.nl

Project nr.: P5112  
Drawing nr.: 5112- GA01