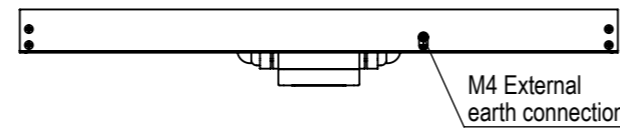


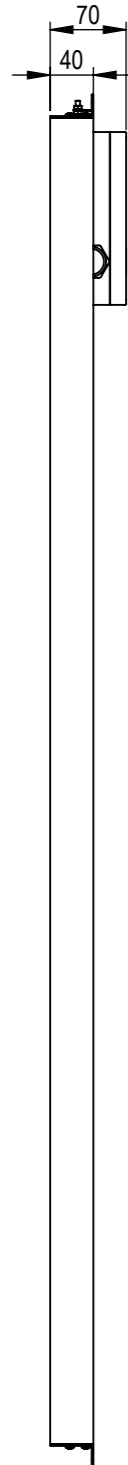
SPARE PARTS LIST

ARTICLE NO / ID	DESCRIPTION 1	DESCRIPTION 2
ID-0007748	M25 Cable gland	
ID-0017137	Gland plug	

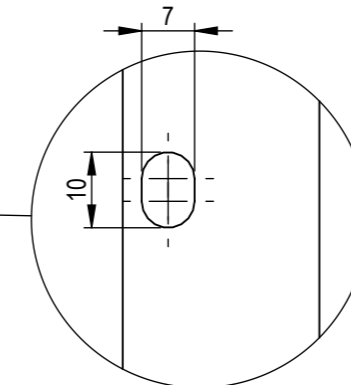
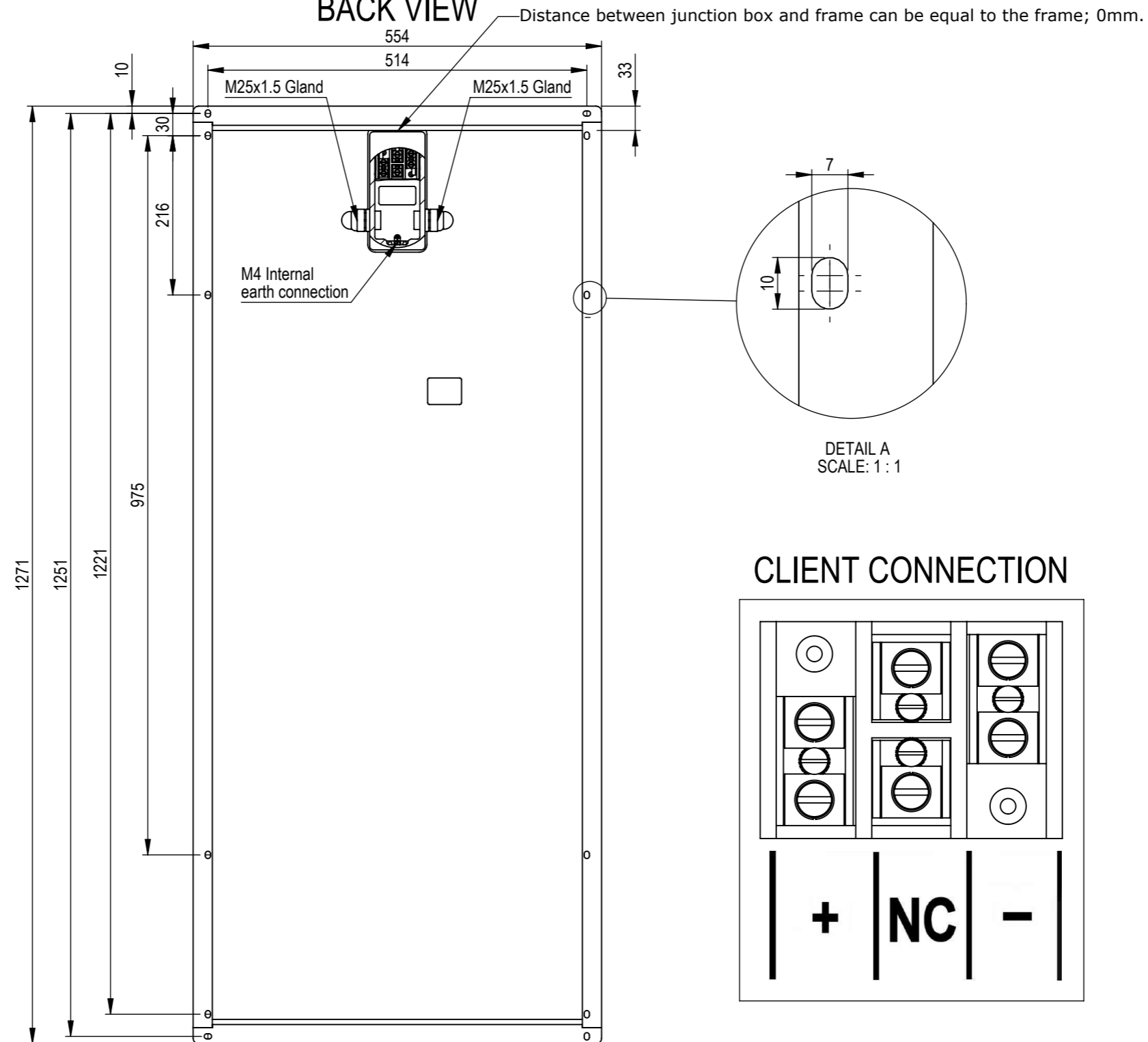
FRONT VIEW



RIGHT VIEW

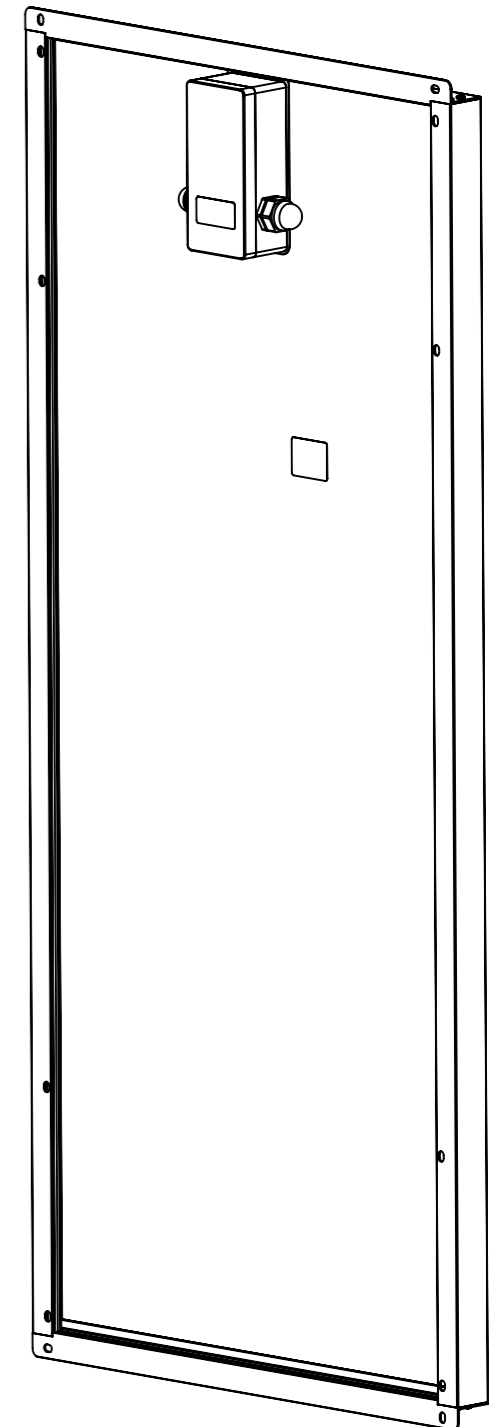
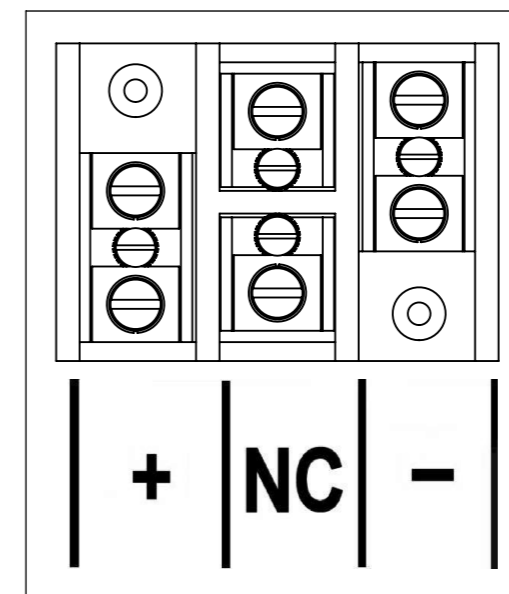


BACK VIEW



DETAIL A
SCALE: 1: 1

CLIENT CONNECTION



Units: mm, tolerances: ±n/a mm unless otherwise indicated

Revision Notes:

Revision: 00

Revision Date: 27-11-2012

orga Strickledeweg 13
NL - 3125 AT SCHIEDAM
T +31 (0)10 208 5555
info@orga.nl
www.orga.nl

OSP108EX	
Marking	: II 2G Ex e mb II T4
Certificate Nr.	: 06ATEX0287X
IP Rating	: IP66
Weight	: 20 kg / 44.1 lbs
Material	: Light alloy & Glass

Scale:	Sheet Size:	
1:7	A3	

DocType: GA Offshore Drawing

TYPE: OSP108EX

Project Nr.:	RD1005124
Project Name:	OSP108EX
Drawing nr.:	018601
Filename Ref.:	SW-0001160