

# HWC2000SA-MKII-xxx

Illuminated windsock

**Designed with an internal floodlight to illuminate the windsock and prevent glare. The illuminated windsock provides wind-speed and direction indication to pilots during landing and take-off.**



### Key features

- Reliable wind direction and wind-speed indication for helicopter operations
- Low cost of ownership
- Low power consumption
- No dazzling of pilot because of internal sock illumination
- No corrosion stainless steel 316 body
- Easy to install
- Various operating voltages
- Aeronautical obstruction light (L85SA-R-AC-32) can be mounted on the top if required

### Standards/Certification

- Complies with CAA-UK CAP 437; Offshore helicopter landing areas – Guidance on standards, Dec. 2008, chapter 4, paragraph 1.5 – Illuminated windsock
- Complies with ICAO Annex 14, Volume II; International standards and recommended practices: Aerodromes, chapter 5.1.1 – Wind direction indicators for elevated Heliports & Helidecks

### Performance characteristics

- Sock colour; red/white/red/white/red or orange
- Sock length: 1,200mm

### Electrical characteristics

- Operating voltage: see table
- Power consumption: see table
- Connection details: max. 4mm<sup>2</sup>; one GRP M20x1.5 cable gland and one GRP M20x1.5 blind plug
- Earth connection: internal max. 4mm<sup>2</sup> and external M8

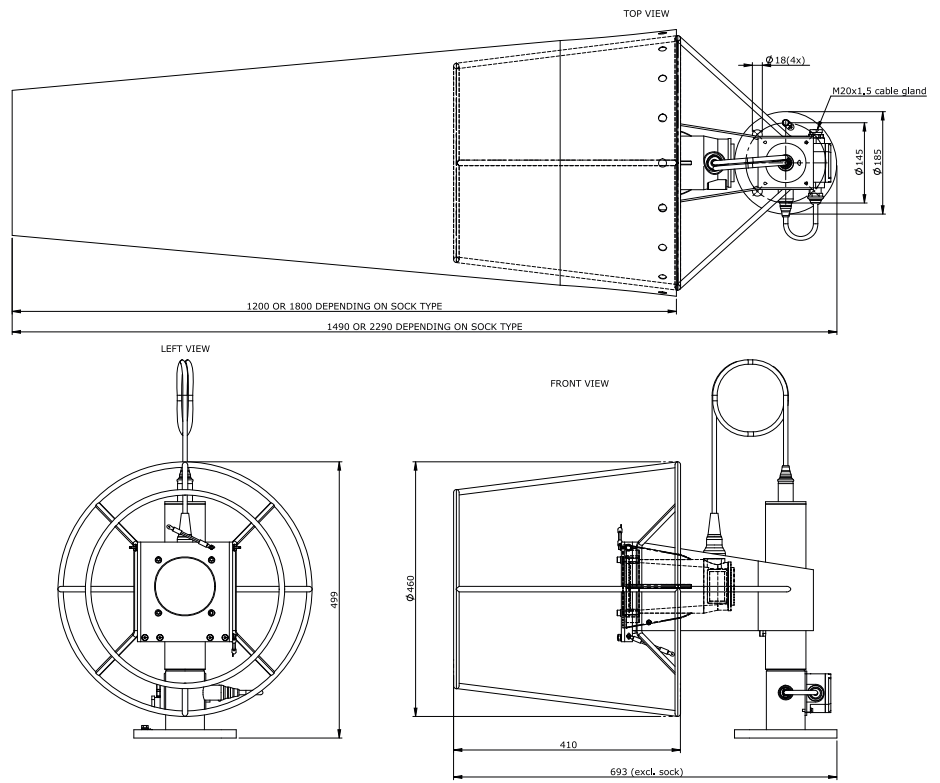
### Physical characteristics

- Dimensions (L x W x H): 693 x 460 x 499mm (excl. sock)
- Weight: 22kg
- Degree of protection: IP66
- Operating temperature range: -20°C to +40°C

Type designation	Power consumption (W)	Frequency (Hz)	Voltage (Vac)
HWC2000SA-MKII-230	15W	50/60Hz	230Vac
HWC2000SA-MKII-120	15W	50/60Hz	120Vac

# HWC2000SA-MKII-xxx

Illuminated windsock



Orga BV  
Strickledeweg 13  
3125 AT SCHIEDAM  
The Netherlands

P.O. Box 3046  
3101 EA SCHIEDAM  
The Netherlands

T +31 (0)10 208 5555  
F +31 (0)10 437 8445  
info@orga.nl  
www.orga.nl