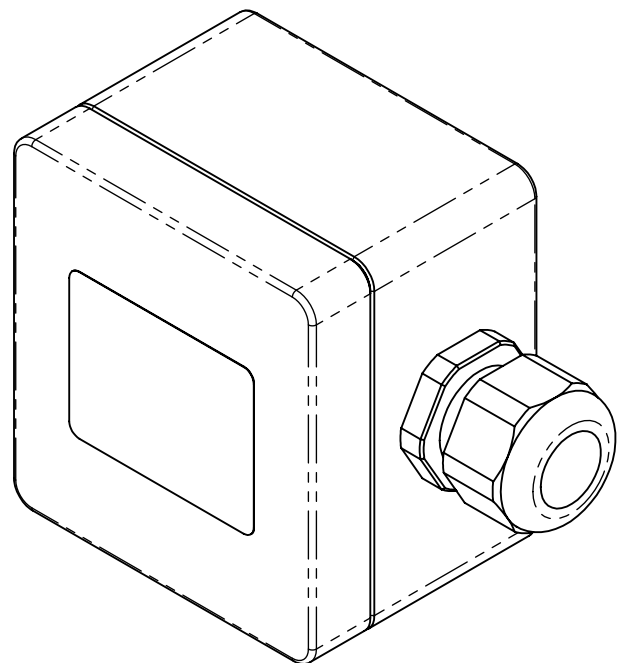
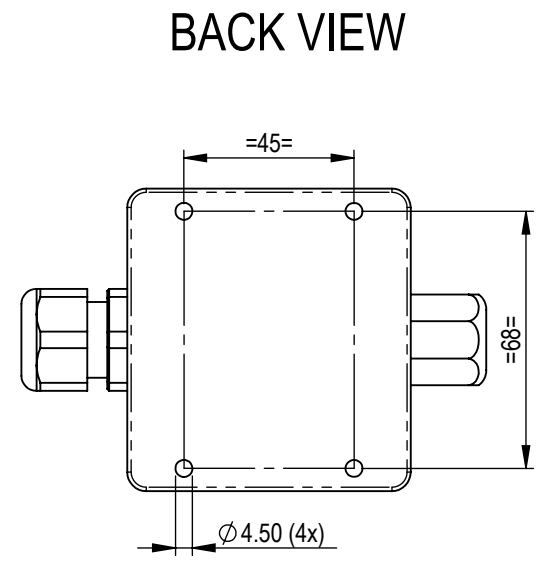
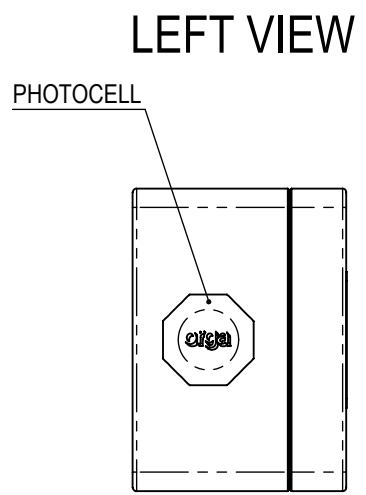
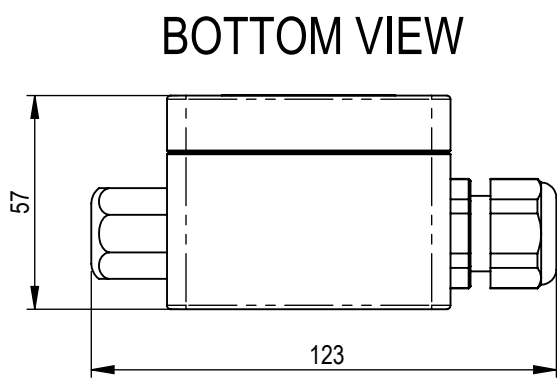
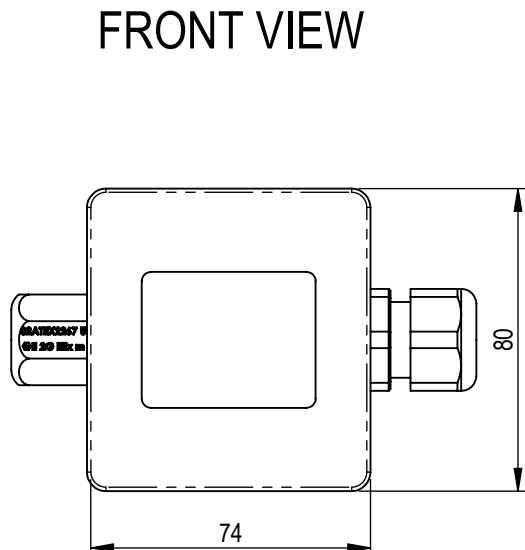
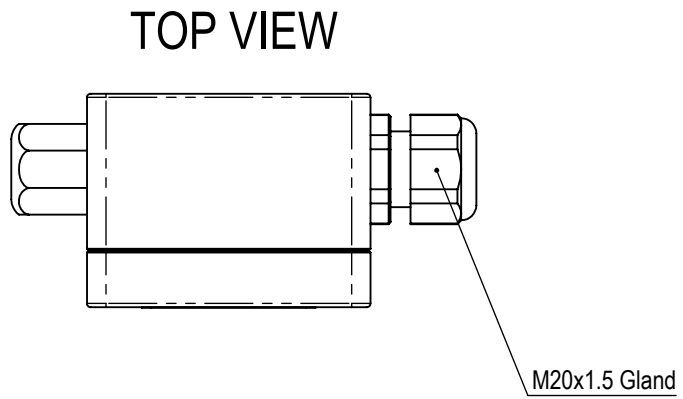
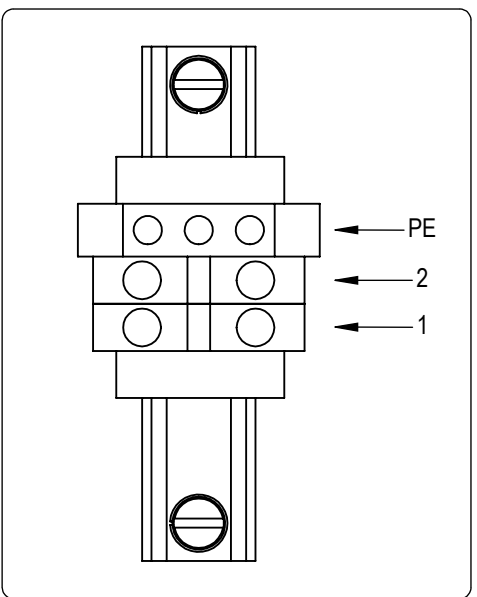


SPARE PARTS LIST			
PART NO	NAME	REFERENCE	DESCRIPTION
	E-MK end bracket		
015129	AKE 4 PE terminal		
	MXK 4 terminal		
012927	HSK-K gland		M20; 10-14mm



CLIENT CONNECTION



Note: all values are typical values

SS24SA	
Marking	: N.A.
Certificate no.	: N.A.
IP rating	: IP66
Weight	: 0.3kg / 0.66lbs
Material	: Non metallic

Rev.	Date	Drawn: J.F.	Date: 13-11-2007	Client ref.:
0	13-11-2007	Checked:	Date:	
1	11-01-2010	Scale: 1:2		
2	09-08-2010	Sheet: 1 of 1		
3		Arrangement drawing		
4				

Photocell	
TYPE: SS24SA	
Client:	
All rights of design or invention are reserved	

	Strickledeweg 13 NL - 3125 AT SCHIEDAM T +31 (0)10 208 5555 info@orga.nl www.orga.nl	
	Project nr.: P5081	Drawing nr.: 5081- GA21