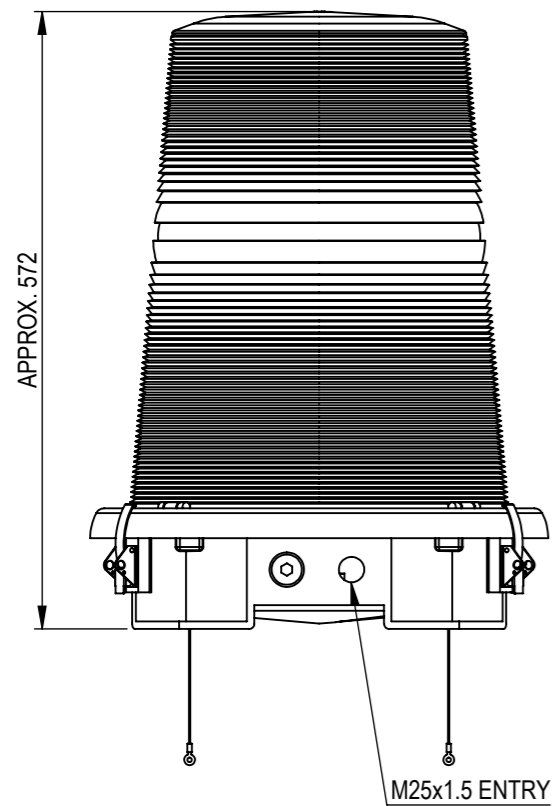
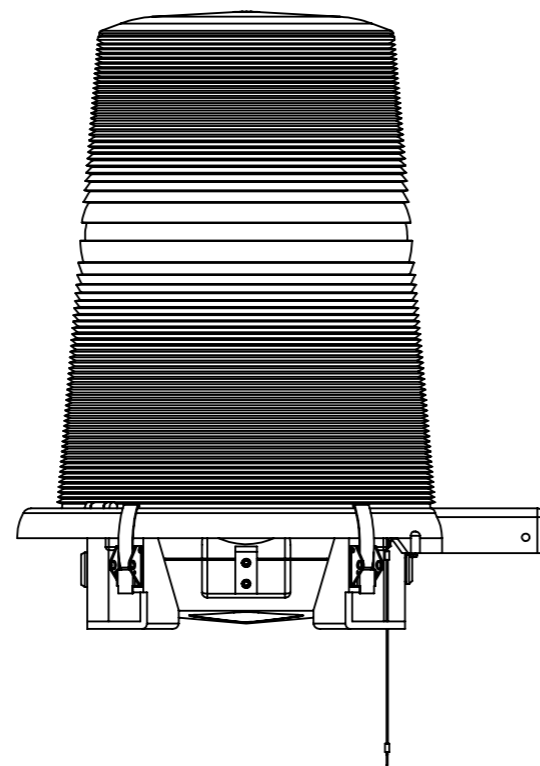


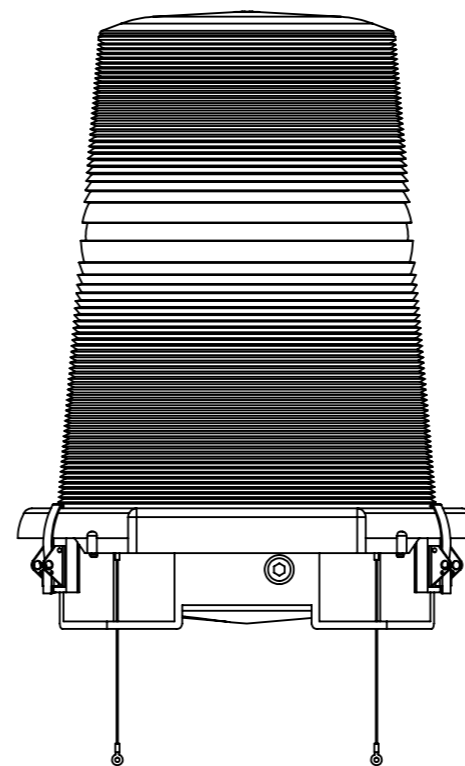
FRONT VIEW



RIGHT VIEW



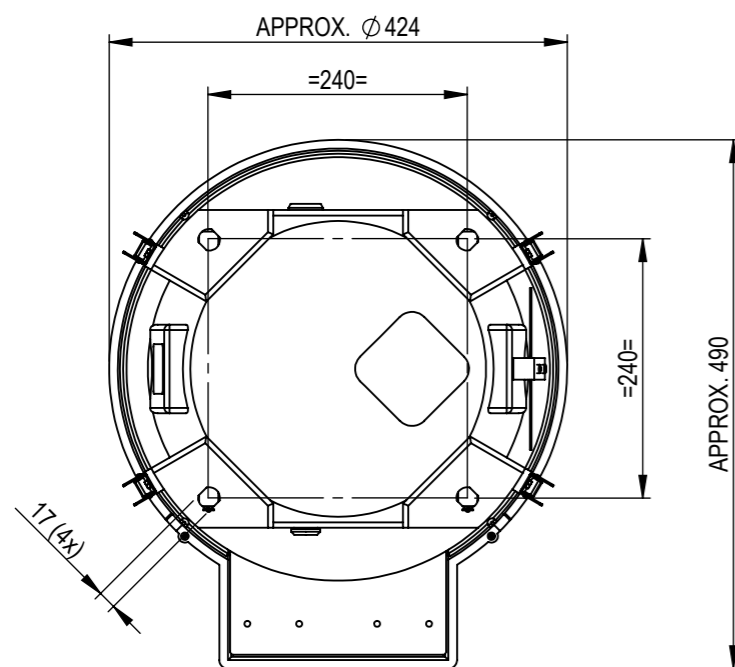
BACK VIEW



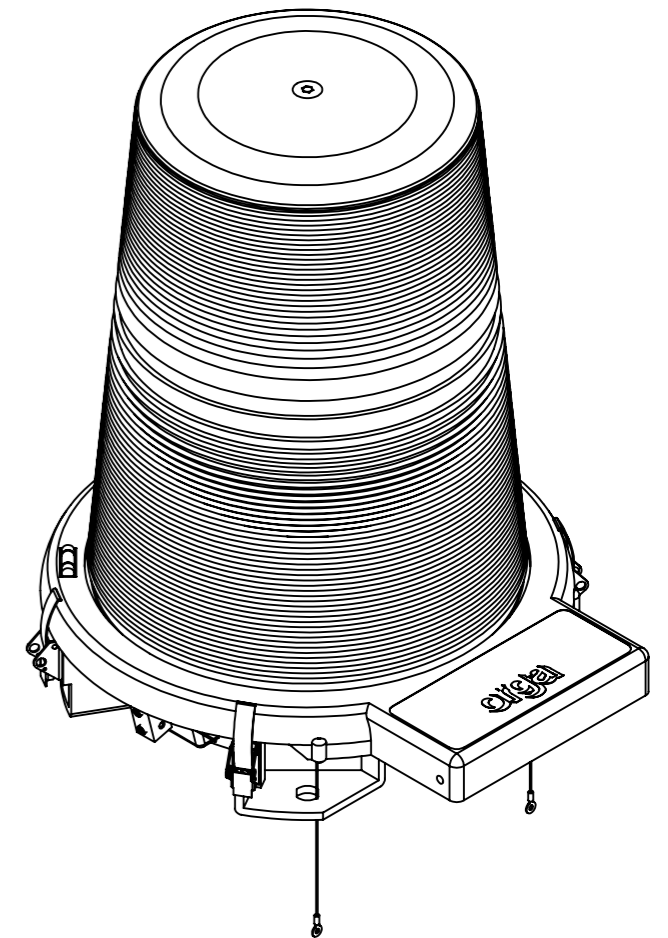
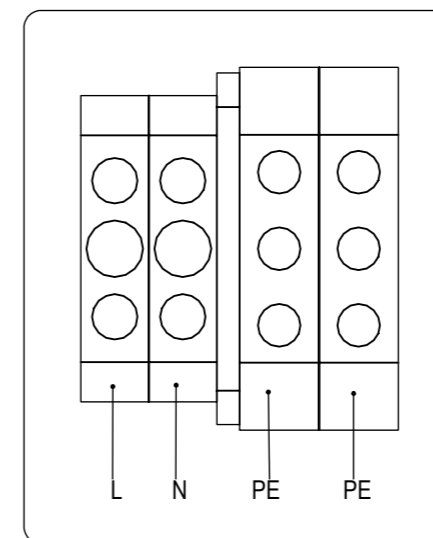
SPARE PARTS LIST

PART NO	NAME	REFERENCE	DESCRIPTION
014007	Base assembly	L304	
012294	O-ring	L3xx	Rubber, ca. 364x Ø6
012292	97-50 latch		
012293	Fixation cord	L303/L304	Stainless steel, ca. 1400x1.5
015147	EW15 end bracket		
014044	Lens assembly	L304	
014306	Silicagel assembly		
014083	Bottom heat sink	L304	
013270	Lamp	L304	
012758	PG11 Blind plug		
011607	Blindplug M25		EEx e

BOTTOM VIEW



CLIENT CONNECTION



Note: all values are typical values

L304EX-C-400	
Marking	: II 2G EEx e II T3
Certificate no.	: KEMA 05ATEX2028 X
IP rating	: IP66
Weight	: 10kg / 22lbs
Material	: Non metallic

Rev.	Date	Drawn: JWD	Date: 12-10-2005	Client ref.:
0	12-10-2005	Checked:	Date:	Lighting fixture TYPE: L304EX-C-400
1	09-11-2007	Scale: 1:7		
2	23-12-2009	Sheet: 1 of 1		
3	18-08-2010	Arrangement drawing		
4				Client:

orga.
 Strickledeweg 13
 NL - 3125 AT SCHIEDAM
 T +31 (0)10 208 5555
 info@orga.nl
 www.orga.nl

Project nr.: P5111
 Drawing nr.: 5111- GA01