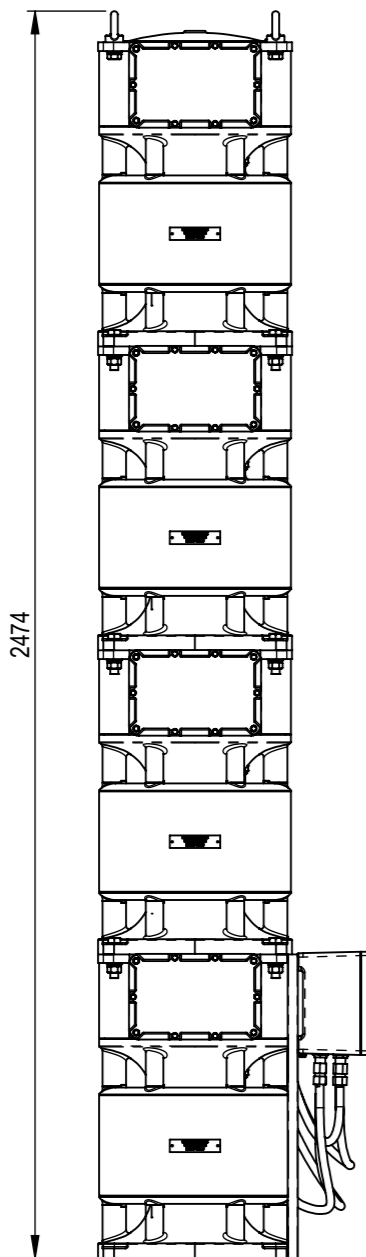
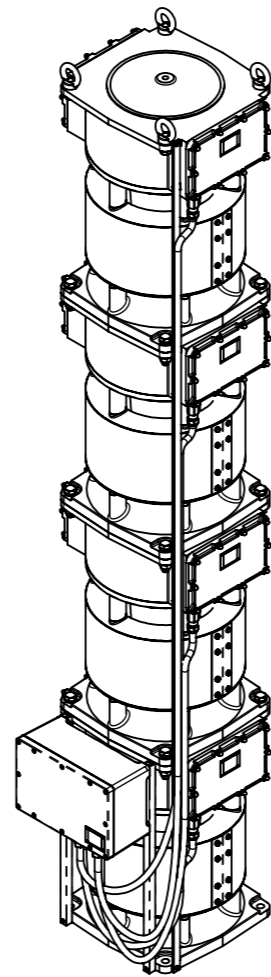
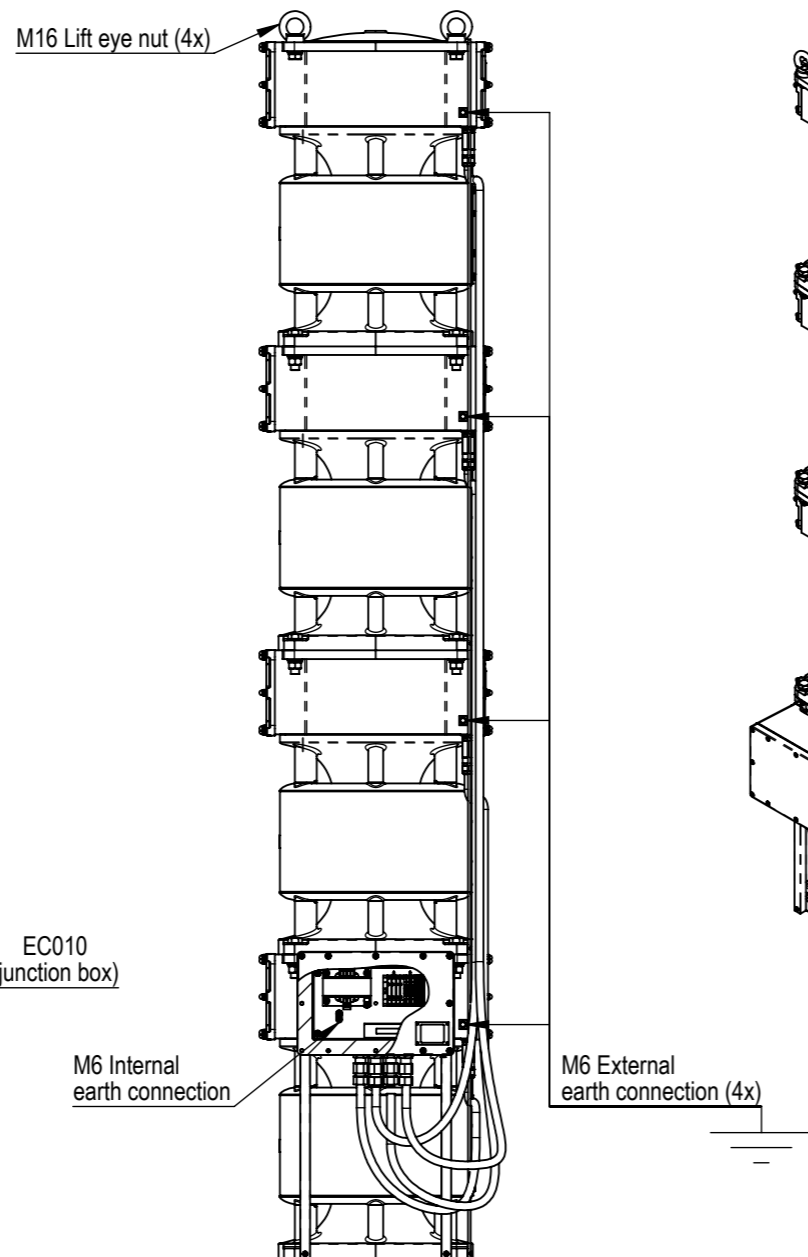


LEFT VIEW



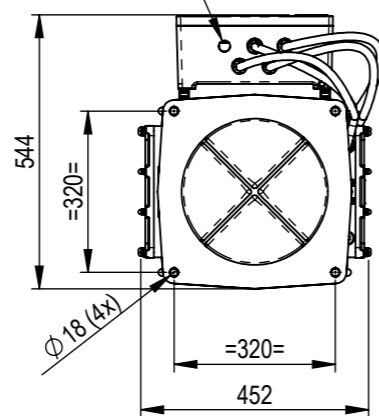
FRONT VIEW



SPARE PARTS LIST

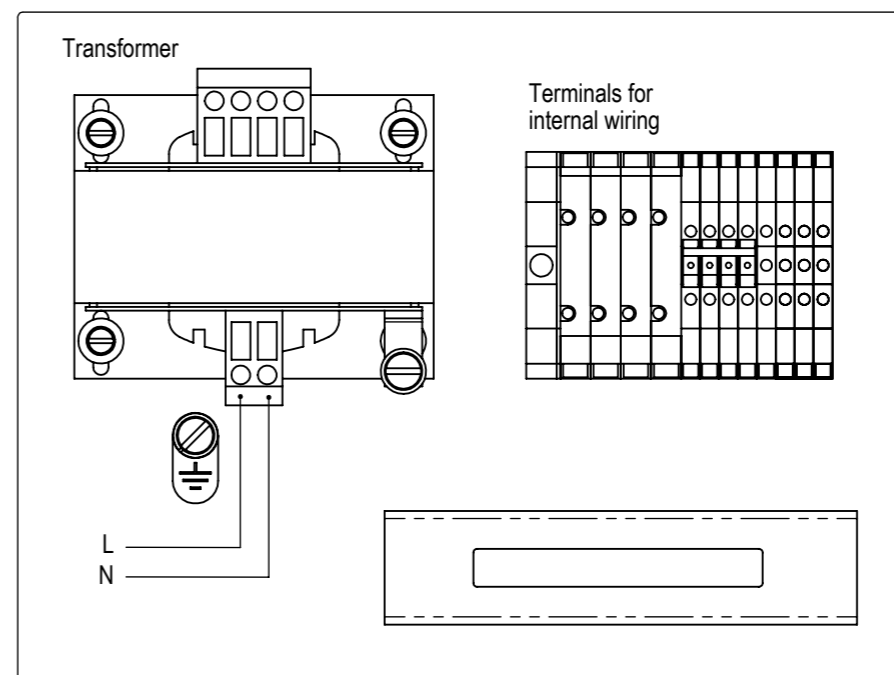
PART NO	NAME	REFERENCE	DESCRIPTION
011101	Driver	FH800	
010945	Shock Absorber	FH800	Neoprene rubber, ϕ 21.5x10
010928	Cover o-ring	FH800	Neoprene rubber, ca. ID218x ϕ 6
010937	Cilindrical cover	FH800	Plastic, ca. ϕ 380x199
	Internals	FH800	SS, 3 or 4 stack
011600	Transformer		100VA, 0-190V, 0-35-40-45V, 800-90Hz
017145	WAP2.5 end plate		
012496	WSI 6 fuse terminal		
012491	WDU.2.5 terminal		
015025	WPE2.5 PE terminal		
	WQV-2.5-4 Cross conection		
015212	Fuse		2A slow 5x20
	Junction Box	FH800	Stainless steel, ca. 200x305x135
012133	O-ring	EC010	Rubber, ca. ϕ 256x4
014306	Silicagel assembly		

M25x1.5 CABLE ENTRY



BOTTOM VIEW

CLIENT CONNECTION



EC010	
Marking	: II 2G EEx d IIB T6
Certificate no.	: KEMA 05ATEX2049
IP rating	: IP65 (by design)
Weight	: 22kg / 48.5lbs
Material	: Stainless steel

FH800(3)SA-SS	
Marking	: NA
Certificate no.	: NA
IP rating	: IP66 (by design)
Weight	: 360Kg / 793.7lbs
Material	: Stainless steel

Note: all values are typical values

Rev.	Date	Drawn: EWB	Date: 17-02-2010
0	17-02-2010	Checked:	Date:
1	04-08-2010	Scale: 1:15	
2		Sheet: 2 of 2	
3			
4			

Client ref.:
All rights of design or invention are reserved

Foghorn
TYPE: FH800(4)SA-SS
Client:

orga.
Strickledeweg 13
NL - 3125 AT SCHIEDAM
T +31 (0)10 208 5555
info@orga.nl
www.orga.nl

Project nr.: P5021
Drawing nr.: 5021- GA32