

# L92-XXX

## Low intensity red obstruction light

Red obstruction light for night time marking of structures that present a hazard to aviation. Red/Infra-Red steady in night mode. Incorporates the benefits of advanced LED, optical and system control technologies to meet the most demanding applications.



### KEY FEATURES

- Light fixture installed on the outside of wind turbine tower
- Sealed non-metallic light design with no maintenance required over service life, with internal power supply unit
- Long life LED light source
- Visible Red light output
- Five year warranty
- Lightweight and easy to install
- Optical design produces highly accurate and uniform light beam
- Extremely low power consumption

### STANDARDS/CERTIFICATION

- Certified to ICAO Annex 14 Volume 1, Seventh Edition, July 2016, Chapter 6, Low Intensity type A & B
- Certified to AVV (German "General Administrative Regulation for the marking and lighting of obstacles to air navigation") type Hindernisfeuer and Hindernisfeuer ES.

### PERFORMANCE CHARACTERISTICS

- Horizontal beam pattern: See table
- Intensity Red light: See table
- Intensity IR light: See table
- Infra-Red wavelength ~850nm
- Infra-Red beam follows visible light, or beam is according to local standards

### ELECTRICAL CHARACTERISTICS

- Operating voltage: 24 Vdc
- Power consumption: See table
- Overvoltage protection: Class III according to IEC61643-1

### PHYSICAL CHARACTERISTICS

- Dimensions: (L x W x H):  
See drawing
- Weight: 1kg
- Design degree of protection: IP66
- Operating temperature range:  
-40°C/+55 °C

### SYSTEM DESIGN, CONTROL AND MONITORING

- Use multiple L92 lights in a wind turbine tower light system with an Orga MLC400 controller
- Bracket available upon request

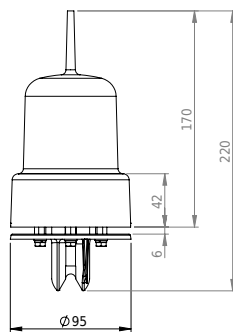


# L92-XXX

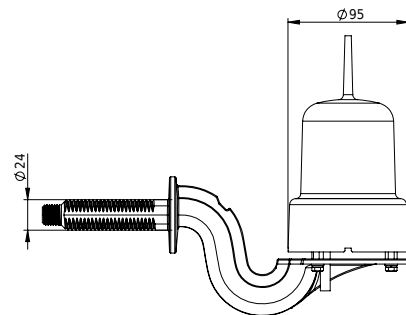
Low intensity red obstruction light

	Intensity	Intensity IR	Power consumption visible light	Power consumption IR light (added to visible light power consumption)	Horizontal beam pattern
L92-62A-IRF	10 cd	>25 mW/sr	2 W	1 W	Min. 120°
L92-62B-IRF	32 cd	>25 mW/sr	4 W	1 W	Min. 120°
L92-NL5-IRF	50 cd	>25 mW/sr	5 W	1 W	Min. 120°
L92-AVV-ES-IRF	10 cd	>25 mW/sr	3 W	1 W	Min. 180°

FRONT VIEW



LEFT VIEW



BOTTOM VIEW

